

Rinne Typ	HA/HE (mm)	Zarge Stahl verzinkt Art.-Nr.	Zarge Edelstahl V2A Art.-Nr.
0.0	150	132330	132430
5.0	175	132340	132440
10.0	200	132350	132450
20.0	250	132370	132470

Rinne Typ	HA/HE (mm)	Zarge Stahl verzinkt Art.-Nr.	Zarge Edelstahl V2A Art.-Nr.
1	150/155	132301	132401
2	155/160	132302	132402
3	160/165	132303	132403
4	165/170	132304	132404
5	170/175	132305	132405
6	175/180	132306	132406
7	180/185	132307	132407
8	185/190	132308	132408
9	190/195	132309	132409
10	195/200	132310	132410

Benennung:  
 ACO DRAIN Multiline V 100 Seal in Rinne  
 Typ 0.0 bis 20.0 und Typ 1 bis 10, L= 1,0 m  
 Art.-Nr. 132330,132340,132350,132370

	Datum	Name
Gez.	14.04.2016	debeling
Upd.	18.01.2017	debeling
Norm		



**ACO Tiefbau**

ACO Tiefbau Vertrieb GmbH  
 24755 Rendsburg, Postfach 320  
 Tel. 04331/ 354-500  
 FAX 04331/ 354-350  
 www.aco-tiefbau.de

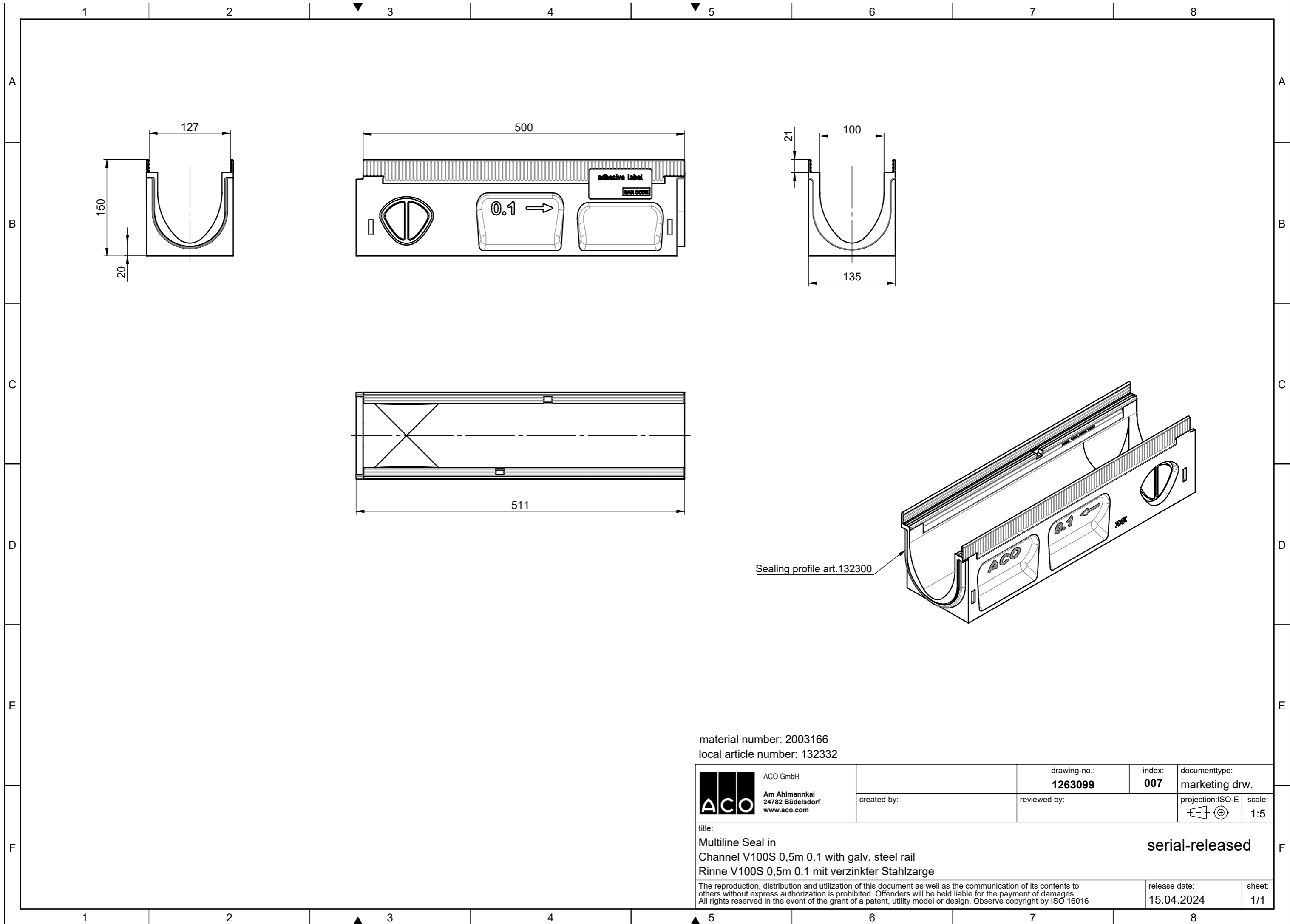
Zeichnung-Nr.  
 G1-M01-1533-3

Index  
 001


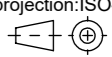
Technische Änderungen vorbehalten

Schutzvermerk gemäß DIN 34

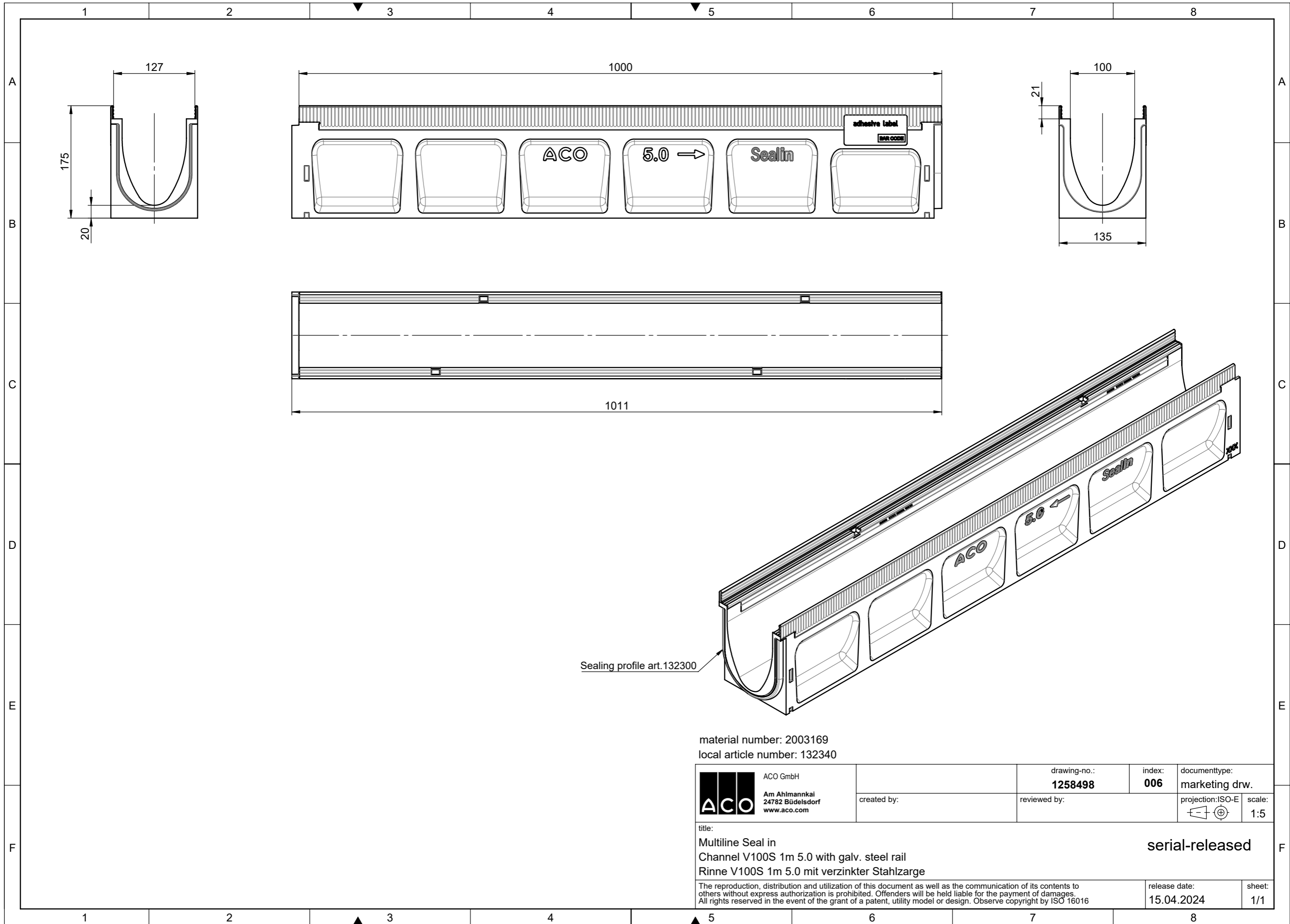
Ers. für:




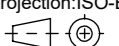
material number: 2003166  
 local article number: 132332

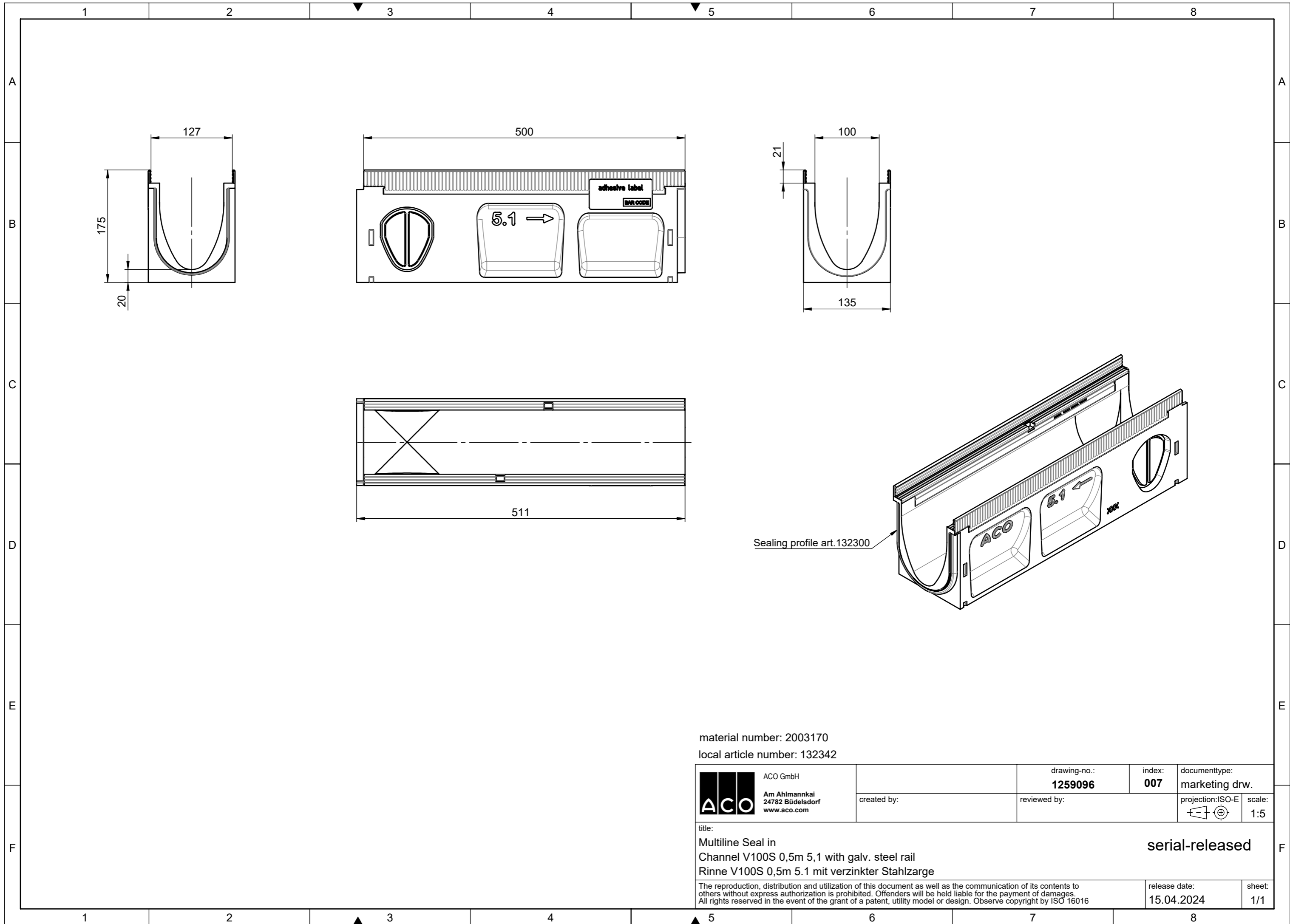
 ACO GmbH Am Ahlmannkai 24782 Büdelsdorf www.aco.com	drawing-no.: <b>1263099</b>	index: <b>007</b>	documenttype: marketing drw.	
	created by:	reviewed by:	projection: ISO-E 	scale: 1:5
title: <b>Multiline Seal in          Channel V100S 0,5m 0.1 with galv. steel rail          Rinne V100S 0,5m 0.1 mit verzinkter Stahlzarge</b>			<b>serial-released</b>	
<small>The reproduction, distribution and utilization of this document as well as the communication of its contents to others without express authorization is prohibited. Offenders will be held liable for the payment of damages. All rights reserved in the event of the grant of a patent, utility model or design. Observe copyright by ISO 16016</small>			release date: <b>15.04.2024</b>	sheet: <b>1/1</b>

S:\projekte\2019\001\_A3\_Versand\22


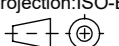


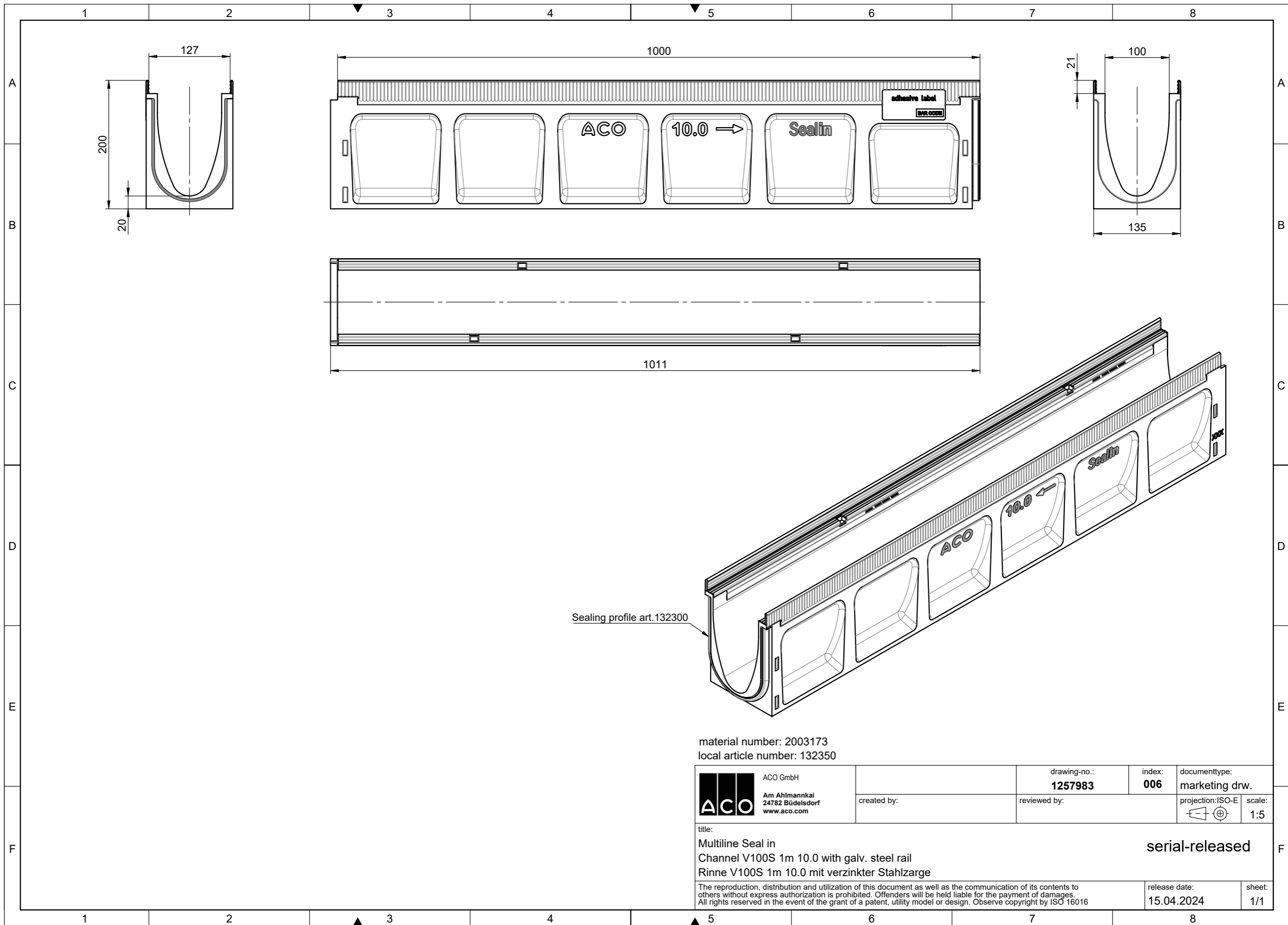
material number: 2003169  
 local article number: 132340

 ACO GmbH Am Ahlmannkai 24782 Büdelsdorf www.aco.com	drawing-no.: <b>1258498</b>	index: <b>006</b>	documenttype: marketing drw.	
	created by:	reviewed by:	projection: ISO-E 	scale: 1:5
title: <b>Multiline Seal in</b> <b>Channel V100S 1m 5.0 with galv. steel rail</b> <b>Rinne V100S 1m 5.0 mit verzinkter Stahlzarge</b>			<b>serial-released</b>	
<small>The reproduction, distribution and utilization of this document as well as the communication of its contents to others without express authorization is prohibited. Offenders will be held liable for the payment of damages. All rights reserved in the event of the grant of a patent, utility model or design. Observe copyright by ISO 16016</small>			release date: <b>15.04.2024</b>	sheet: <b>1/1</b>


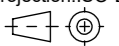


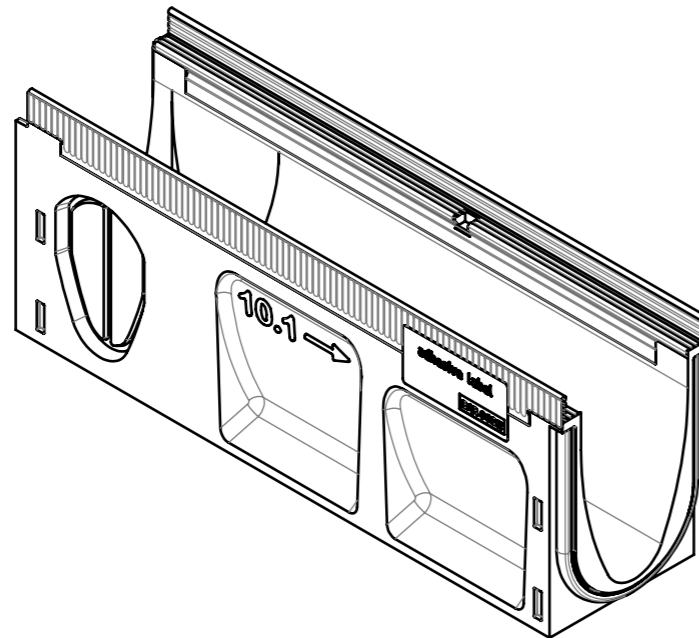
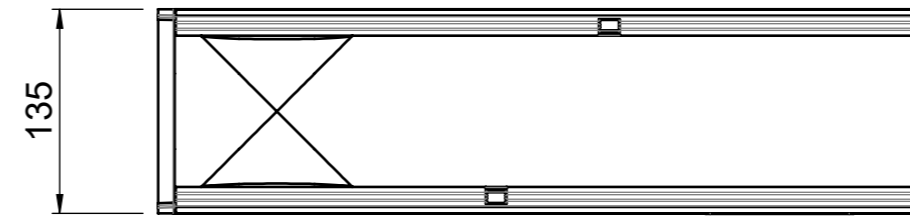
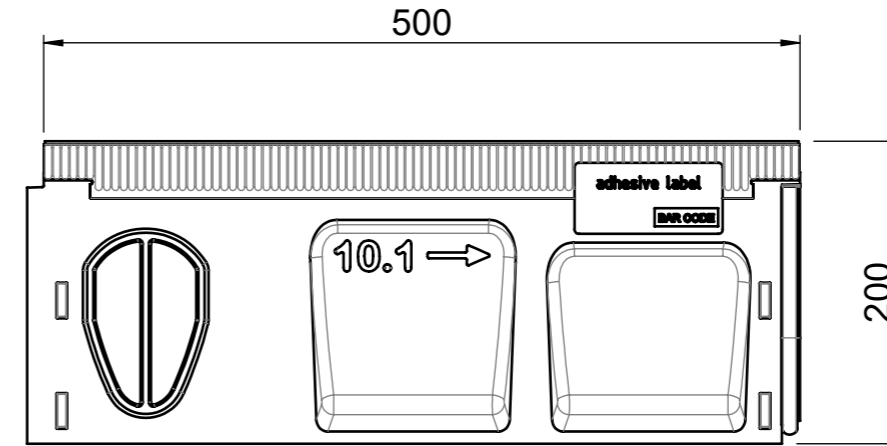
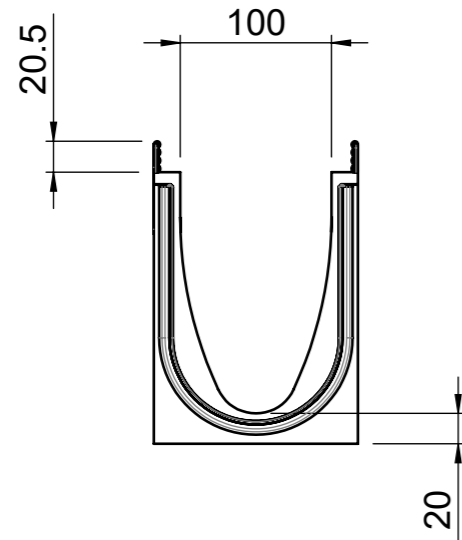
material number: 2003170  
 local article number: 132342

 ACO GmbH Am Ahlmannkai 24782 Büdelsdorf www.aco.com	drawing-no.: <b>1259096</b>	index: <b>007</b>	documenttype: marketing drw.	
	created by:	reviewed by:	projection: ISO-E 	scale: 1:5
title: <b>Multiline Seal in          Channel V100S 0,5m 5,1 with galv. steel rail          Rinne V100S 0,5m 5.1 mit verzinkter Stahlzarge</b>			<b>serial-released</b>	
<small>The reproduction, distribution and utilization of this document as well as the communication of its contents to others without express authorization is prohibited. Offenders will be held liable for the payment of damages. All rights reserved in the event of the grant of a patent, utility model or design. Observe copyright by ISO 16016</small>			release date: <b>15.04.2024</b>	sheet: <b>1/1</b>




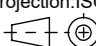
material number: 2003173  
 local article number: 132350

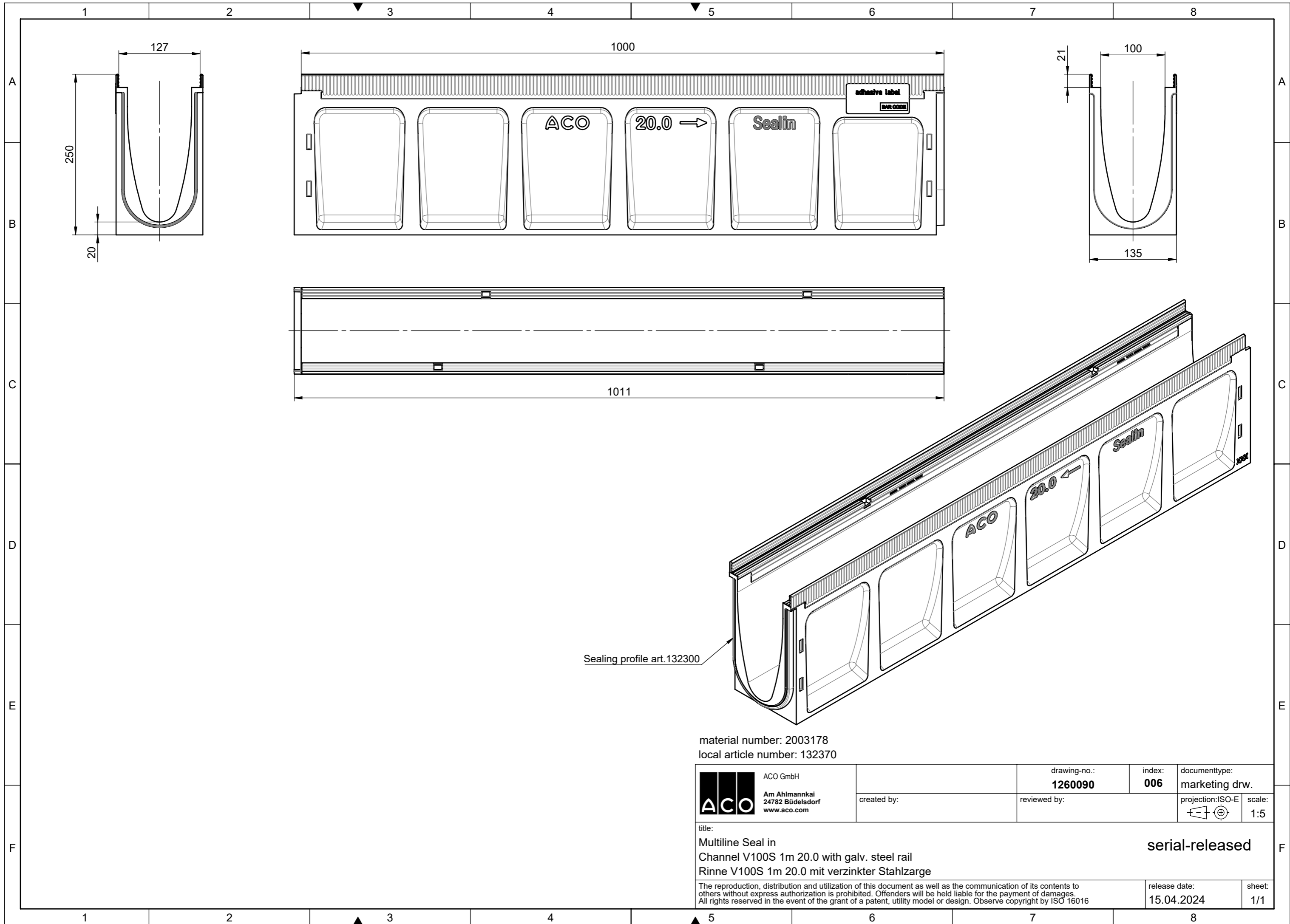
 ACO GmbH Am Ahlmannkai 24782 Büdelsdorf www.aco.com	created by:	drawing-no.: <b>1257983</b>	index: <b>006</b>	documenttype: marketing drw.
	reviewed by:	 scale: 1:5		
title: <b>Multiline Seal in</b> <b>Channel V100S 1m 10.0 with galv. steel rail</b> <b>Rinne V100S 1m 10.0 mit verzinkter Stahlzarge</b>				<b>serial-released</b>
The reproduction, distribution and utilization of this document as well as the communication of its contents to others without express authorization is prohibited. Offenders will be held liable for the payment of damages. All rights reserved in the event of the grant of a patent, utility model or design. Observe copyright by ISO 16016			release date: 15.04.2024	sheet: 1/1




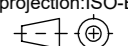
material number: 2003174

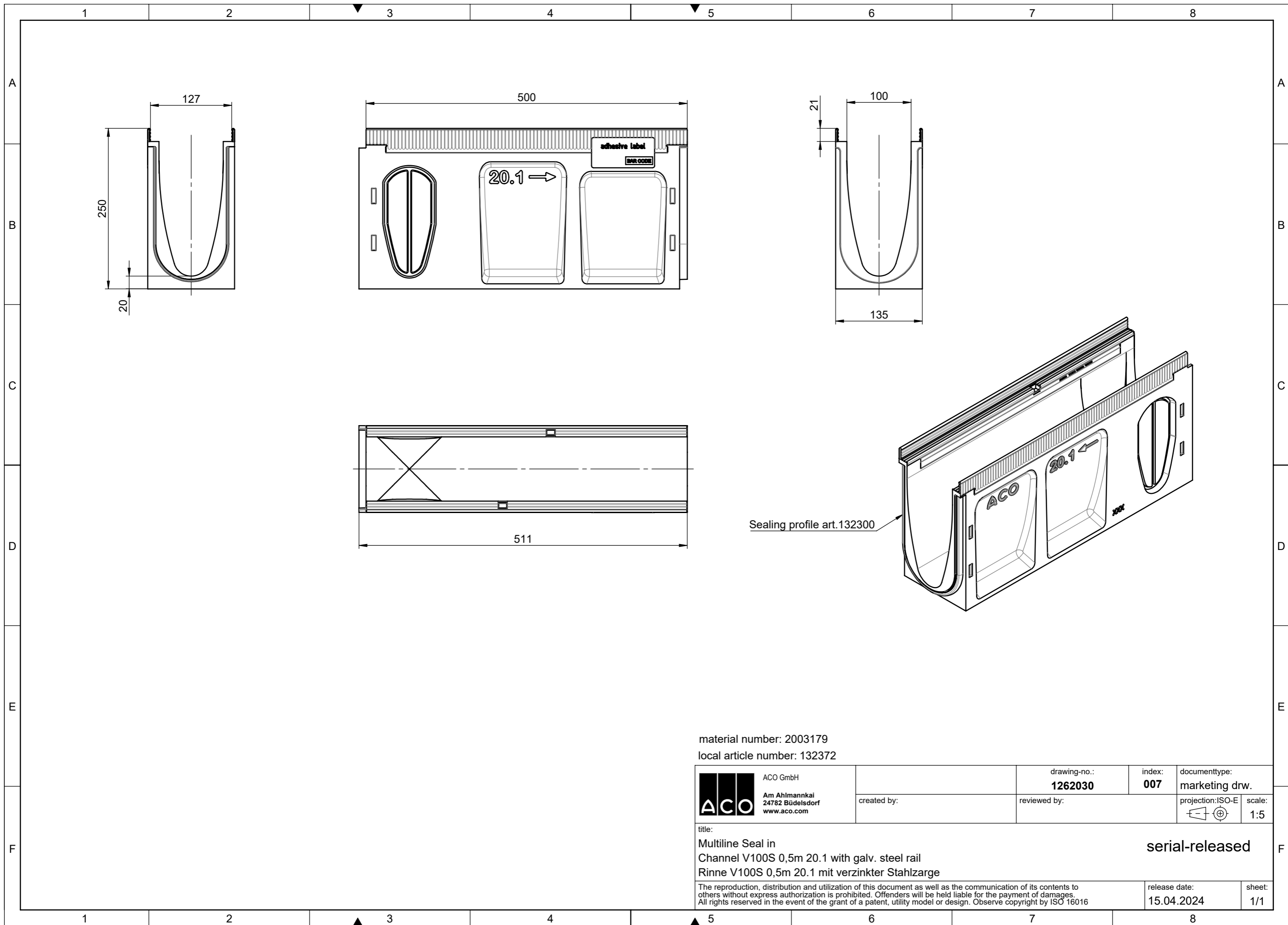
local article number: 132352

 ACO Ahlmann SE & Co. KG Am Ahlmannkai 24782 Büdelsdorf www.aco.com	drawing-no.: <b>1037947-M</b>	index: <b>006</b>	documenttype: marketing drw.
	created by: rkumar	reviewed by: smeier	projection: ISO-E 
title: <b>Multiline Seal in          Channel V100S 0,5m 10,1 with galv. steel rail          Rinne V100S 0,5m 10.1 mit verzinkter Stahlzarge</b>			<b>serial-released</b>
<small>The reproduction, distribution and utilization of this document as well as the communication of its contents to others without express authorization is prohibited. Offenders will be held liable for the payment of damages. All rights reserved in the event of the grant of a patent, utility model or design. Observe copyright by ISO 16016</small>			release date: <b>10.02.2023</b>
			sheet: <b>1/1</b>


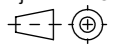


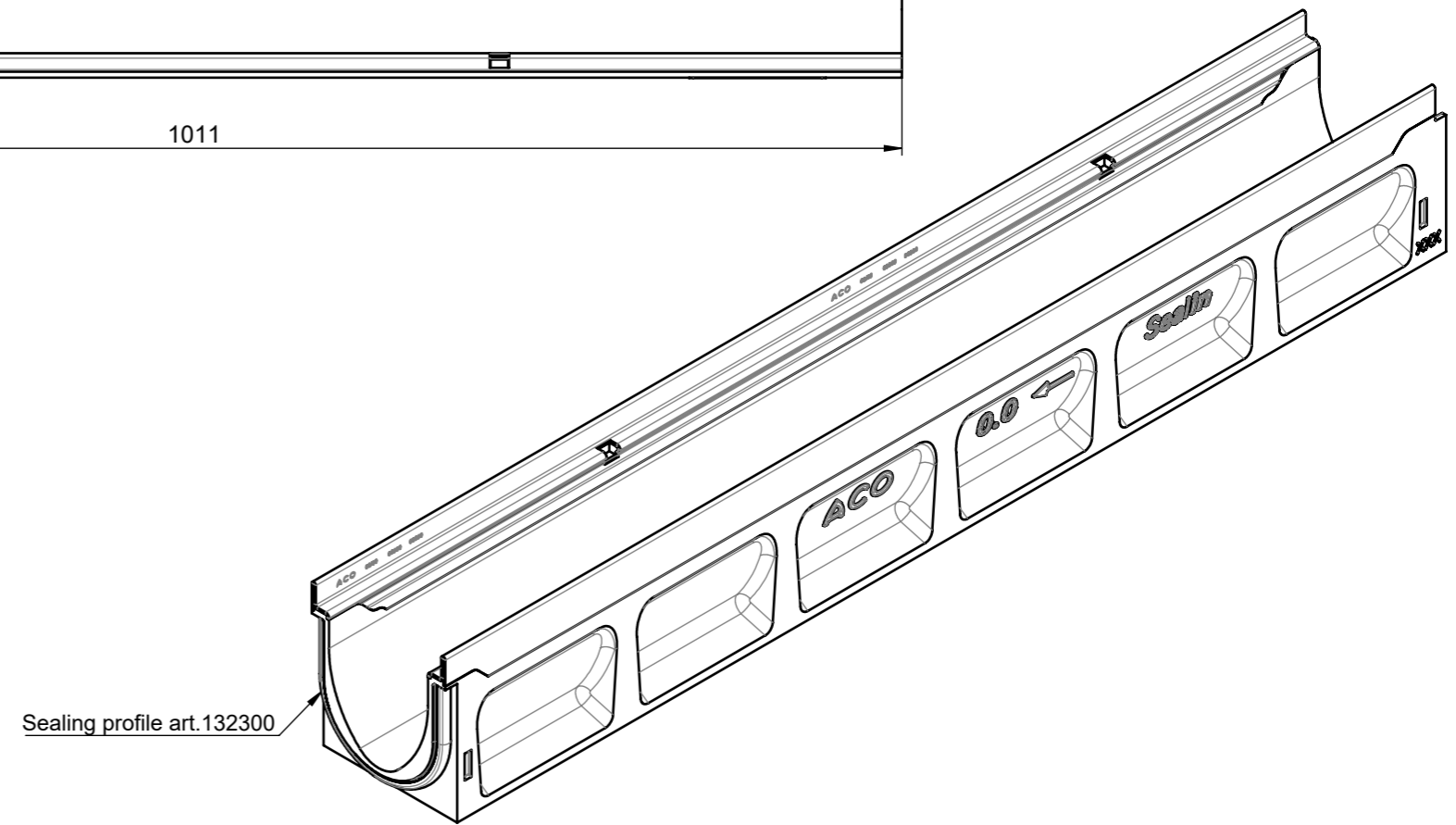
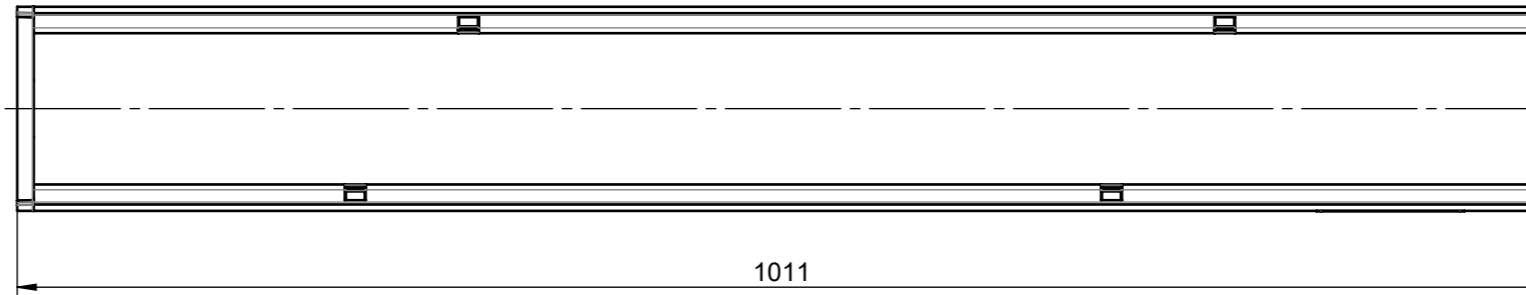
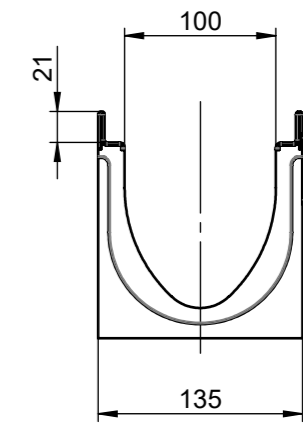
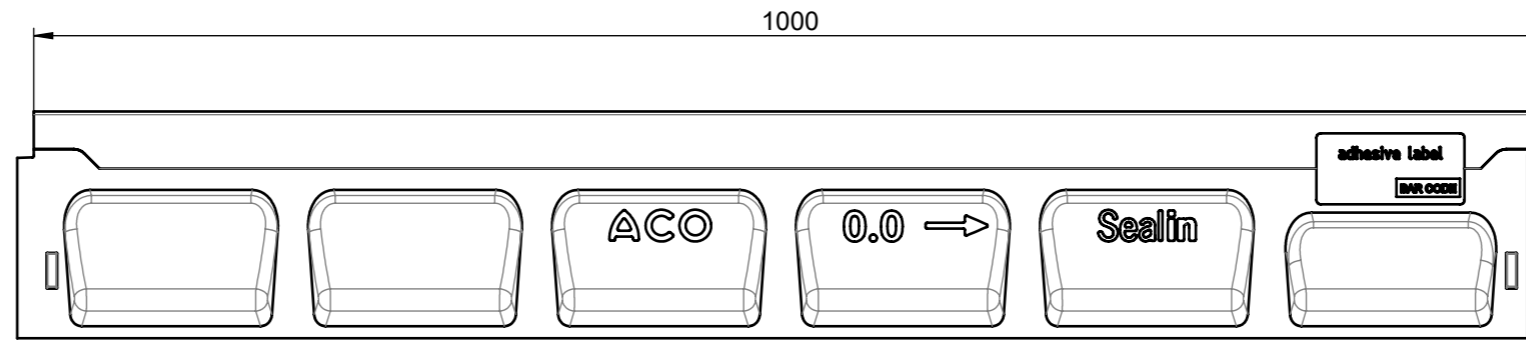
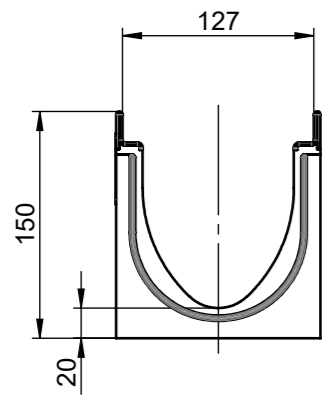
material number: 2003178  
 local article number: 132370

 ACO GmbH Am Ahlmannkai 24782 Büdelsdorf www.aco.com	created by:	drawing-no.: <b>1260090</b>	index: <b>006</b>	documenttype: marketing drw.
	reviewed by:	 projection:ISO-E		scale: 1:5
title: <b>Multiline Seal in</b> <b>Channel V100S 1m 20.0 with galv. steel rail</b> <b>Rinne V100S 1m 20.0 mit verzinkter Stahlzarge</b>				<b>serial-released</b>
The reproduction, distribution and utilization of this document as well as the communication of its contents to others without express authorization is prohibited. Offenders will be held liable for the payment of damages. All rights reserved in the event of the grant of a patent, utility model or design. Observe copyright by ISO 16016			release date: 15.04.2024	sheet: 1/1


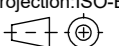


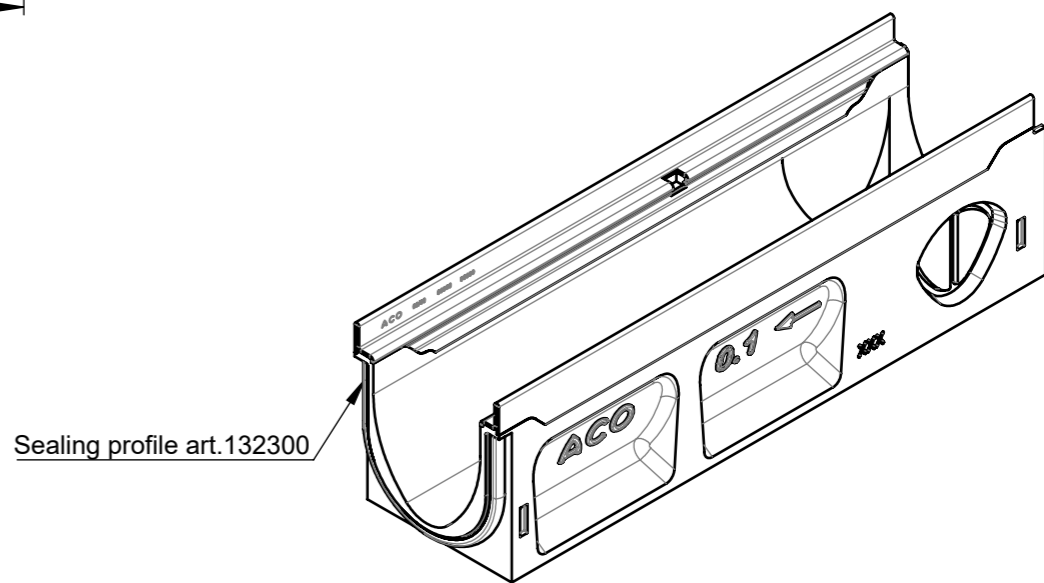
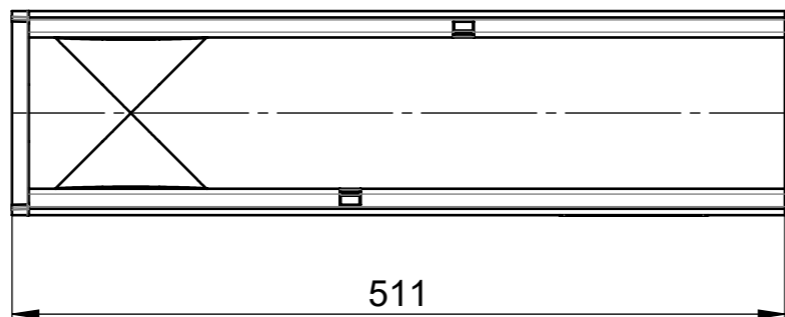
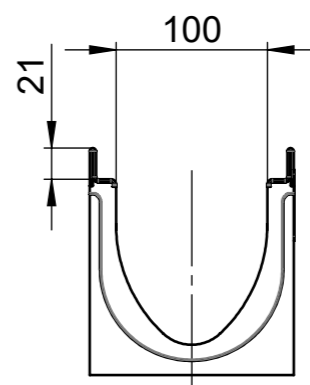
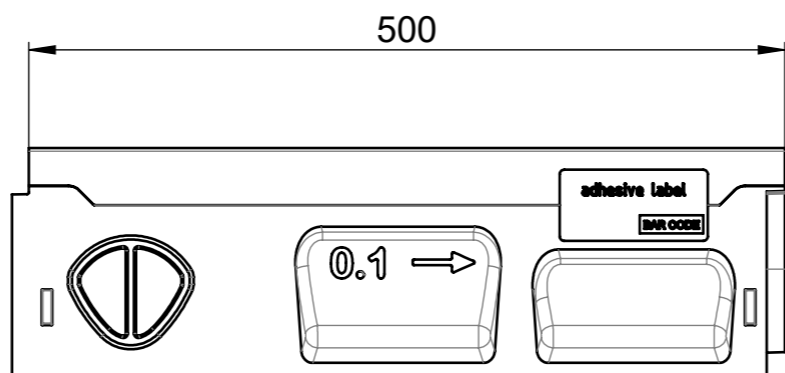
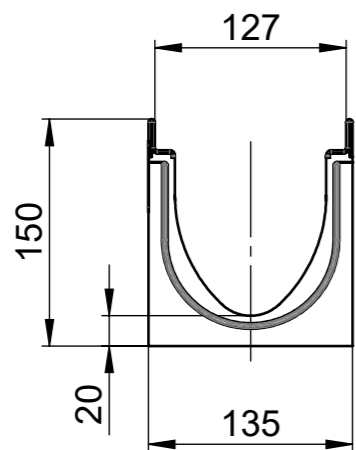
material number: 2003179  
 local article number: 132372

 ACO GmbH Am Ahlmannkai 24782 Büdelsdorf www.aco.com	drawing-no.:	index:	documenttype:
	1262030	007	marketing drw.
created by:	reviewed by:	projection:ISO-E	scale:
			1:5
title: Multiline Seal in Channel V100S 0,5m 20.1 with galv. steel rail Rinne V100S 0,5m 20.1 mit verzinkter Stahlzarge			serial-released
The reproduction, distribution and utilization of this document as well as the communication of its contents to others without express authorization is prohibited. Offenders will be held liable for the payment of damages. All rights reserved in the event of the grant of a patent, utility model or design. Observe copyright by ISO 16016			release date: 15.04.2024
			sheet: 1/1


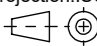


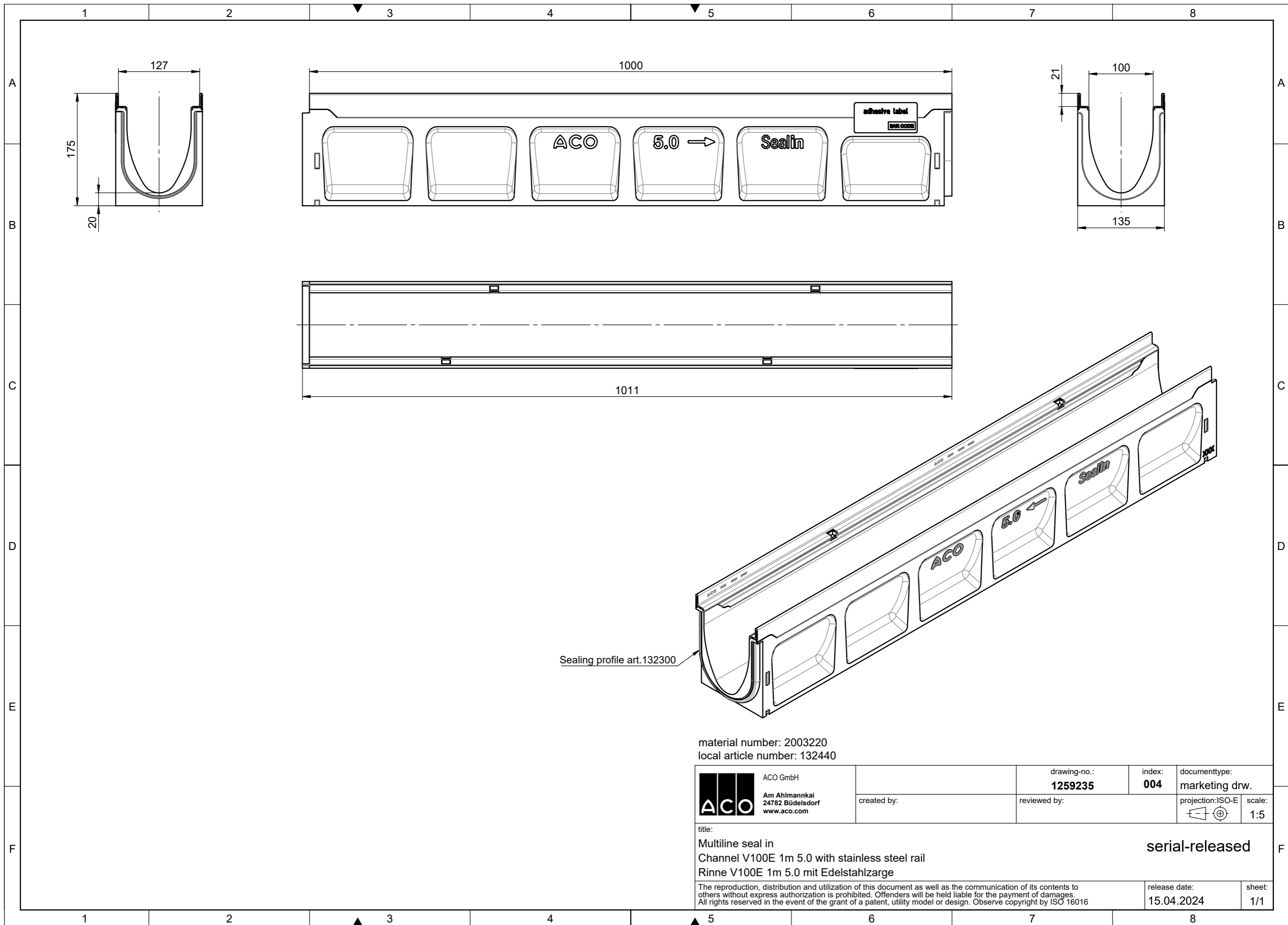
material number: 2003216  
 local article number: 132430

 ACO GmbH Am Ahlmannkai 24782 Büdelsdorf www.aco.com	drawing-no.: <b>1260072</b>	index: <b>004</b>	documenttype: marketing drw.
	created by:	reviewed by:	projection: ISO-E  scale: 1:5
title: <b>Multiline seal in          Channel V100E 1m 0.0 with stainless steel rail          Rinne V100E 1m 0.0 mit Edelstahlzarge</b>			<b>serial-released</b>
<small>The reproduction, distribution and utilization of this document as well as the communication of its contents to others without express authorization is prohibited. Offenders will be held liable for the payment of damages. All rights reserved in the event of the grant of a patent, utility model or design. Observe copyright by ISO 16016</small>			release date: <b>15.04.2024</b> sheet: <b>1/1</b>




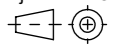
material number: 2003217  
 local article number: 132432

 ACO GmbH Am Ahlmannkai 24782 Büdelsdorf www.aco.com	drawing-no.: <b>1250166</b>	index: <b>005</b>	documenttype: marketing drw.
	created by:	reviewed by:	projection: ISO-E  scale: 1:5
title: <b>Multiline Seal in          Channel V100E 0,5m 0.1 with stainless steel rail          Rinne V100E 0,5m 0.1 mit Edelstahlzarge</b>			<b>serial-released</b>
The reproduction, distribution and utilization of this document as well as the communication of its contents to others without express authorization is prohibited. Offenders will be held liable for the payment of damages. All rights reserved in the event of the grant of a patent, utility model or design. Observe copyright by ISO 16016			release date: <b>15.04.2024</b> sheet: <b>1/1</b>



Sealing profile art.132300

material number: 2003220  
 local article number: 132440

 ACO GmbH Am Ahlmannkai 24782 Büdelsdorf www.aco.com	drawing-no.: <b>1259235</b>	index: <b>004</b>	documenttype: marketing drw.	
	created by:	reviewed by:	projection: ISO-E 	scale: 1:5
title: <b>Multiline seal in          Channel V100E 1m 5.0 with stainless steel rail          Rinne V100E 1m 5.0 mit Edelstahlzarge</b>			<b>serial-released</b>	
<small>The reproduction, distribution and utilization of this document as well as the communication of its contents to others without express authorization is prohibited. Offenders will be held liable for the payment of damages. All rights reserved in the event of the grant of a patent, utility model or design. Observe copyright by ISO 16016</small>			release date: <b>15.04.2024</b>	sheet: <b>1/1</b>

S:\projekte\2019\001\_A3\_Versand\22



1 2 3 4 5 6 7 8

A

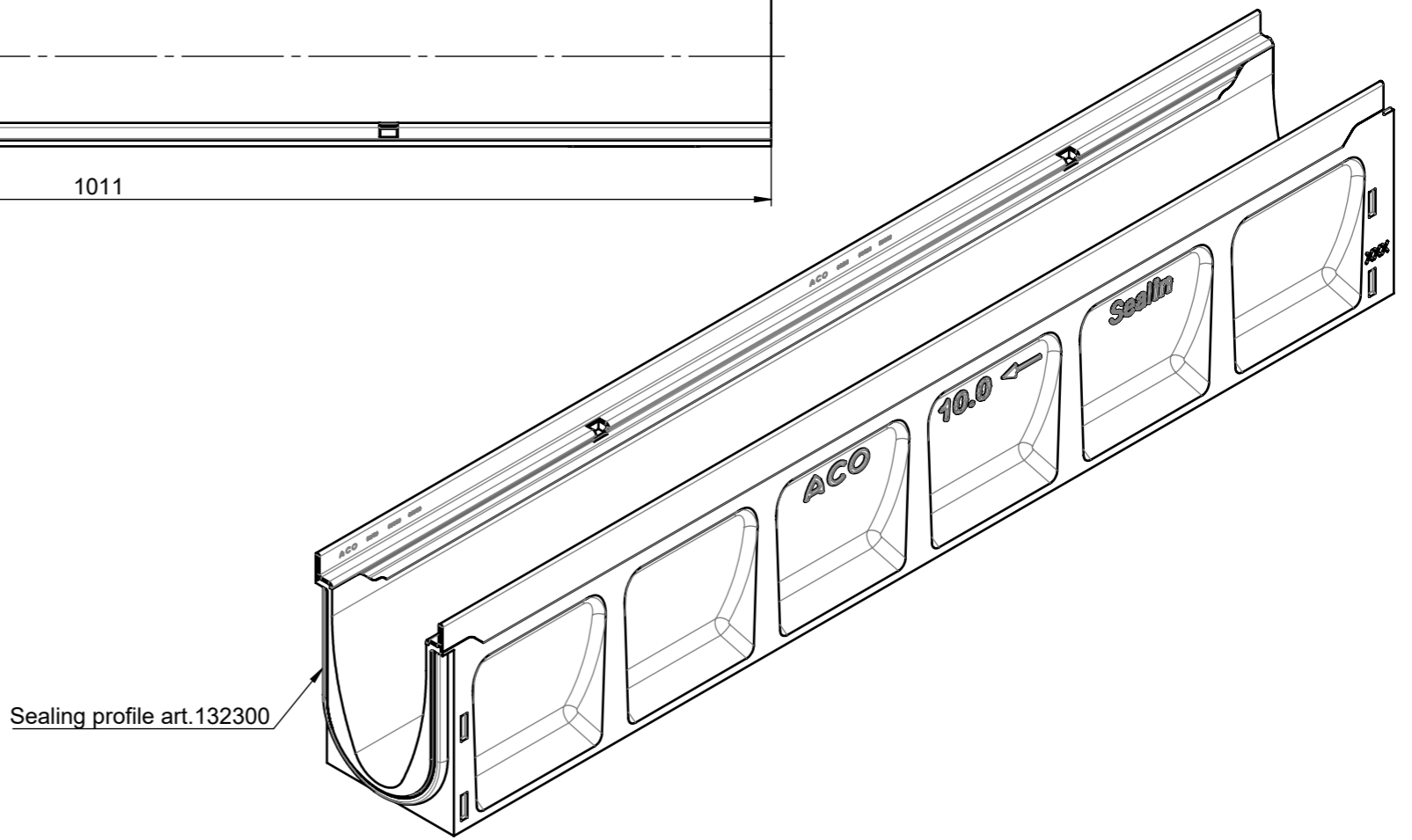
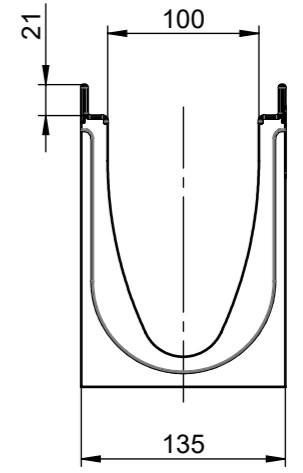
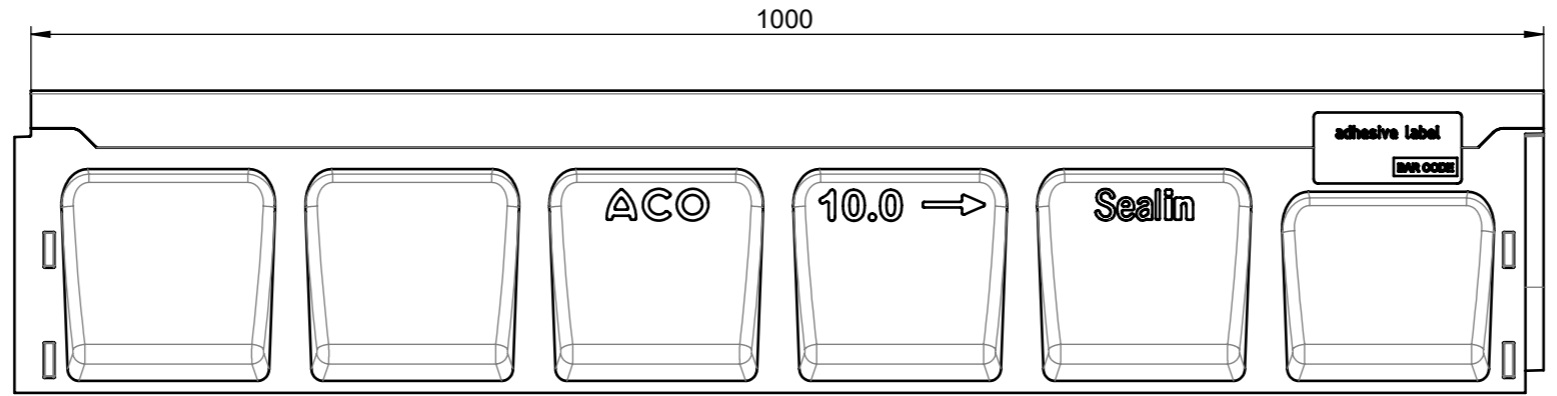
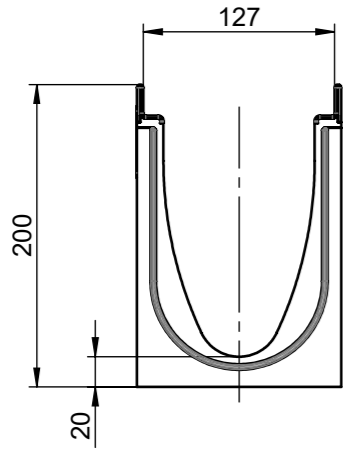
B

C

D


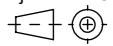
E

F



Sealing profile art. 132300

material number: 2003228  
local article number: 132450

 ACO GmbH Am Ahlmannkai 24782 Büdelsdorf www.aco.com	drawing-no.: <b>1262226</b>	index: <b>004</b>	documenttype: marketing drw.
	created by:	reviewed by:	projection: ISO-E 
title: Multiline seal in Channel V100E 1m 10.0 with stainless steel rail Rinne V100E 1m 10.0 mit Edelstahlzarge			serial-released
The reproduction, distribution and utilization of this document as well as the communication of its contents to others without express authorization is prohibited. Offenders will be held liable for the payment of damages. All rights reserved in the event of the grant of a patent, utility model or design. Observe copyright by ISO 16016			release date: 15.04.2024
			sheet: 1/1

1 2 3 4 5 6 7 8

A

B

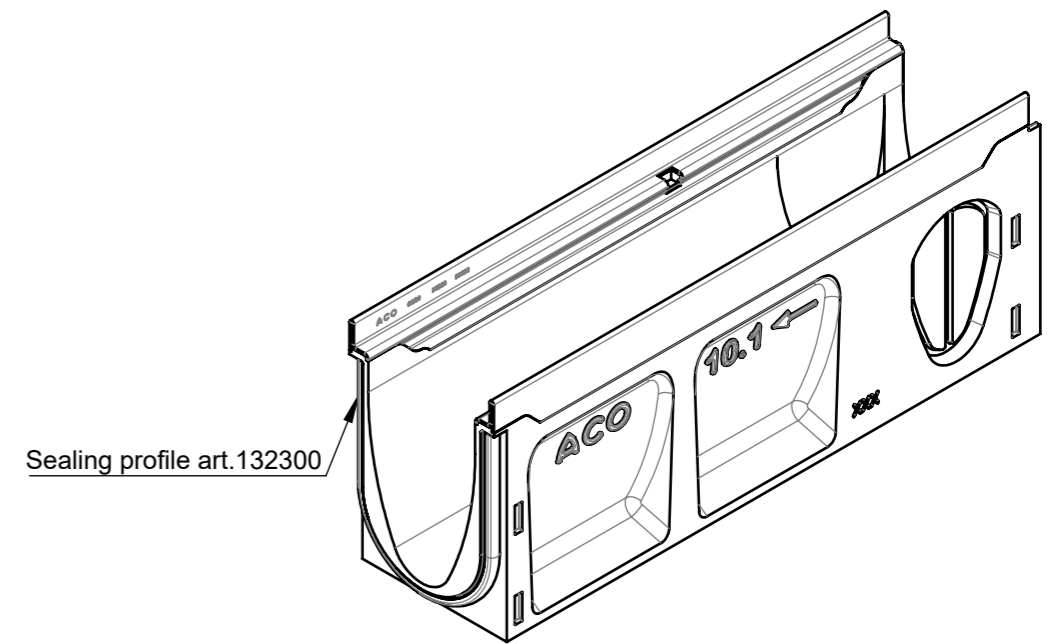
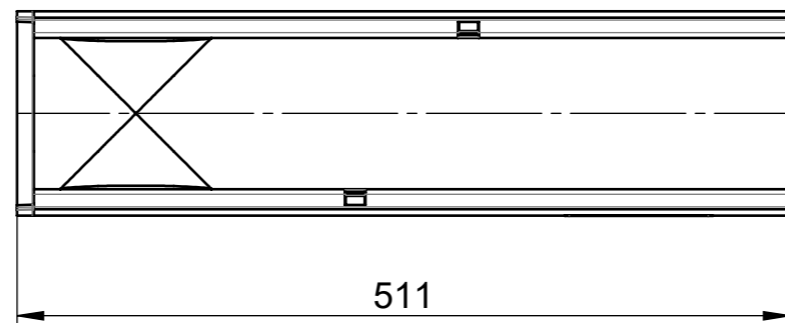
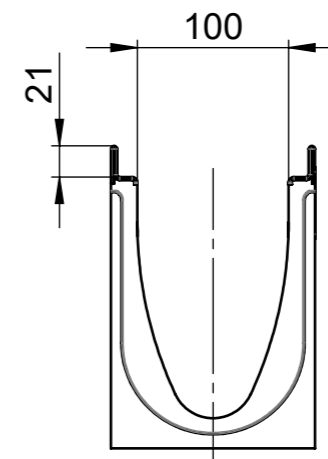
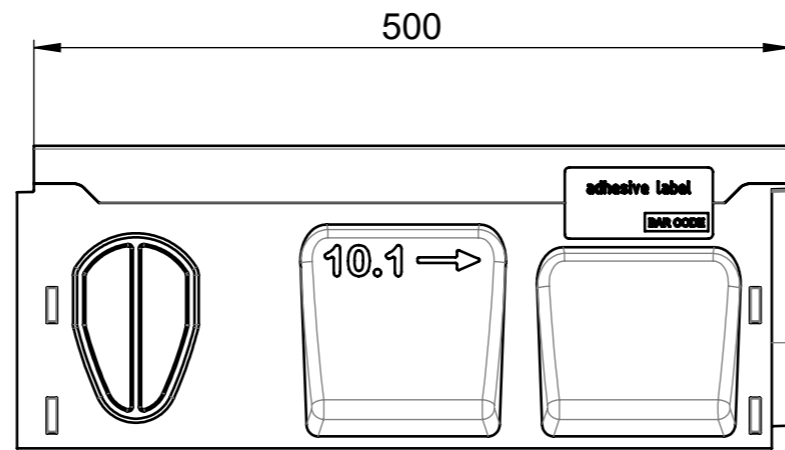
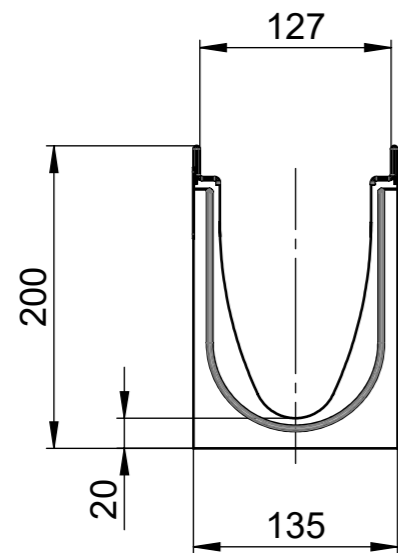
C

D


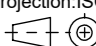
E

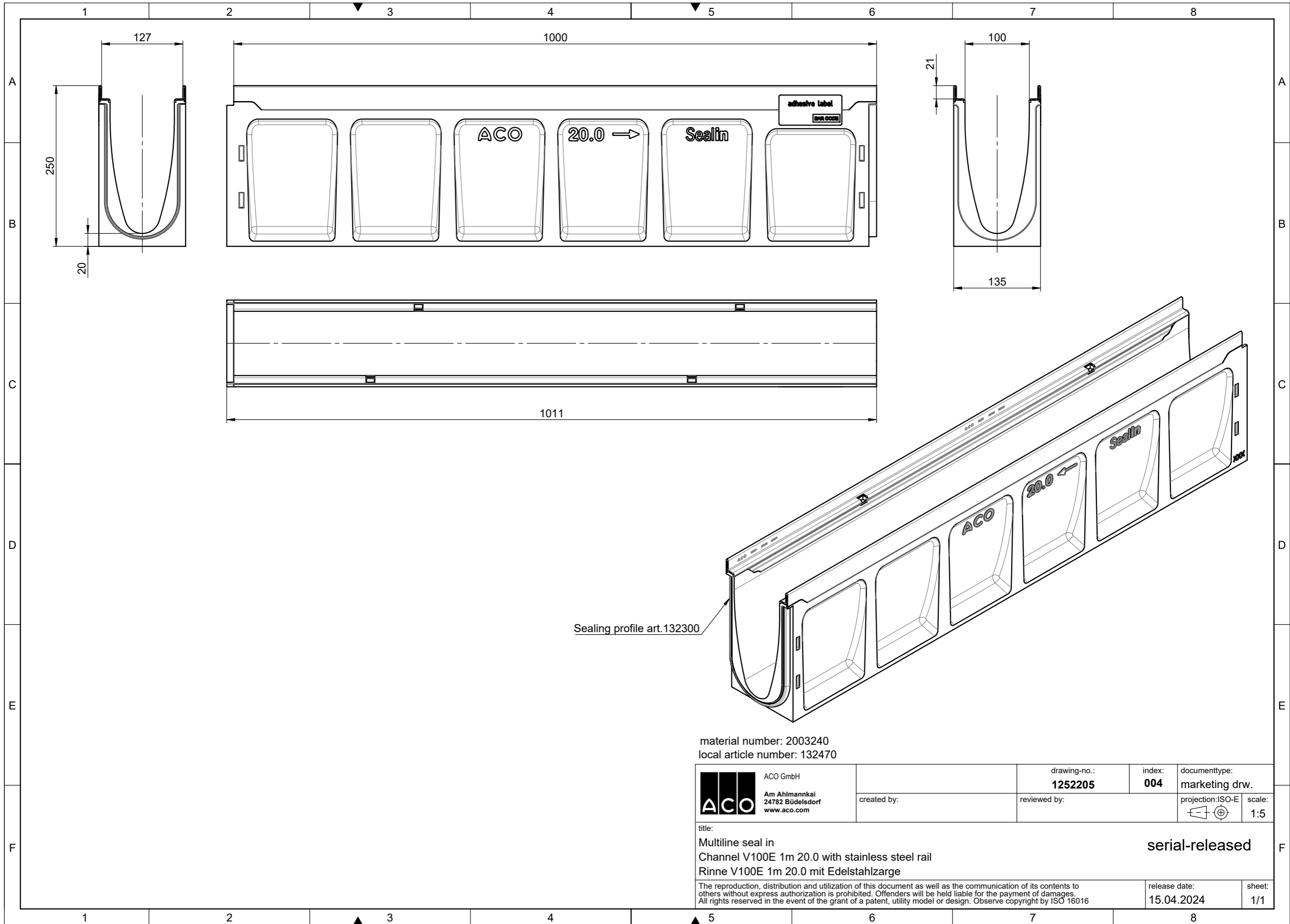
F

S:\projekte\2024\04\ACO\_V100E\_1m\_10.0\_Verschnitt.dwg


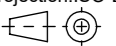


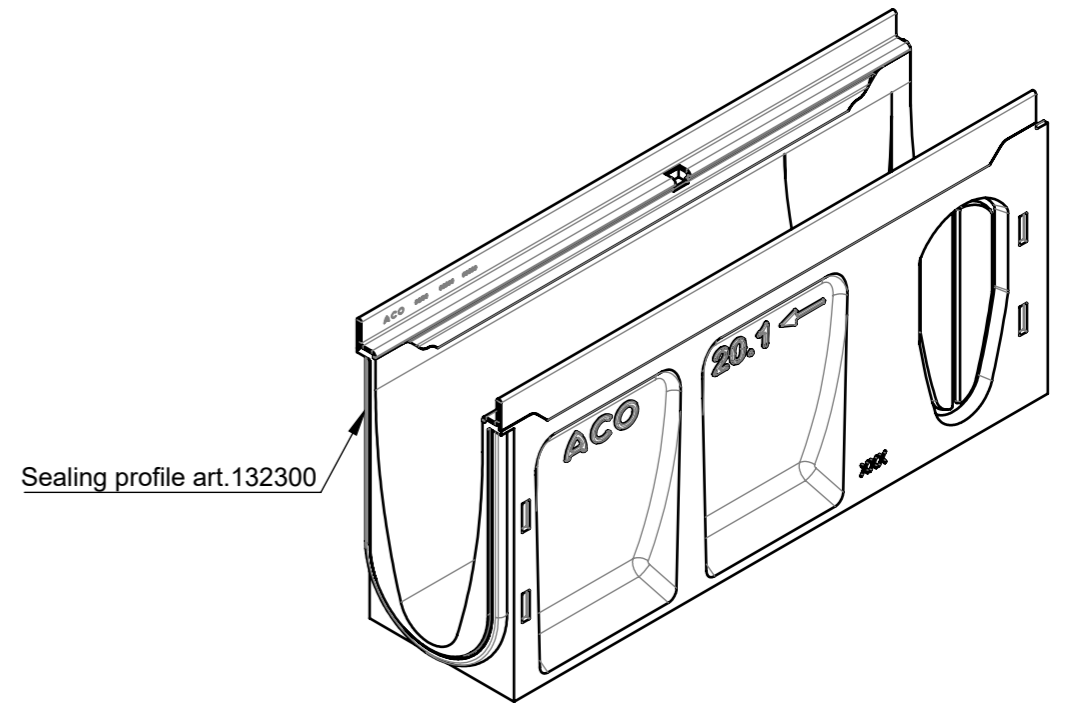
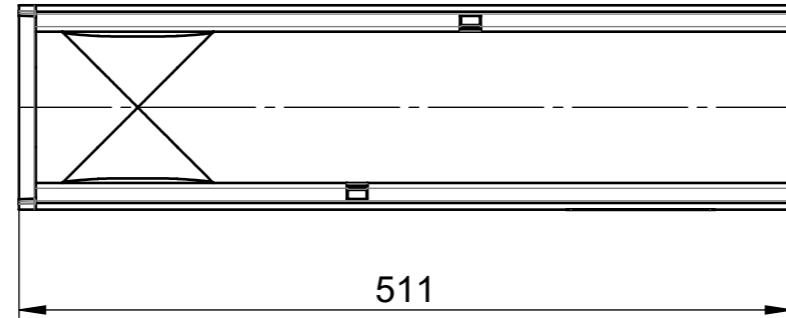
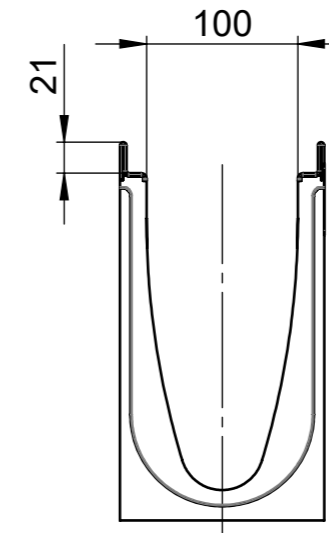
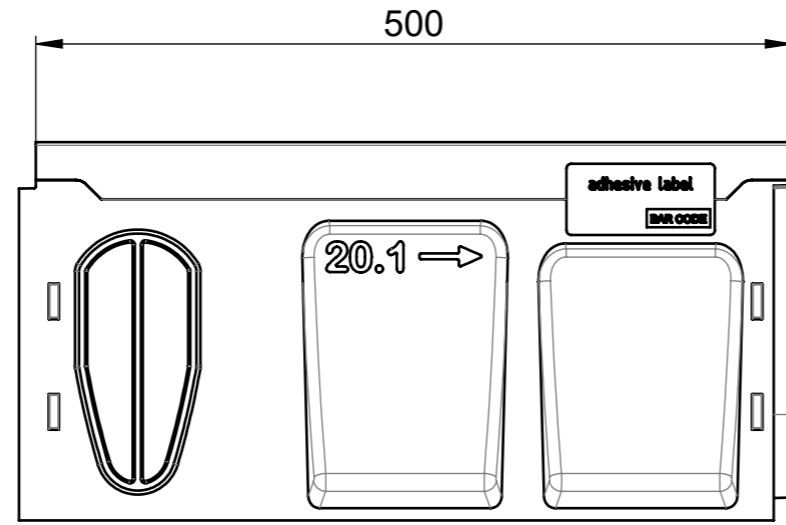
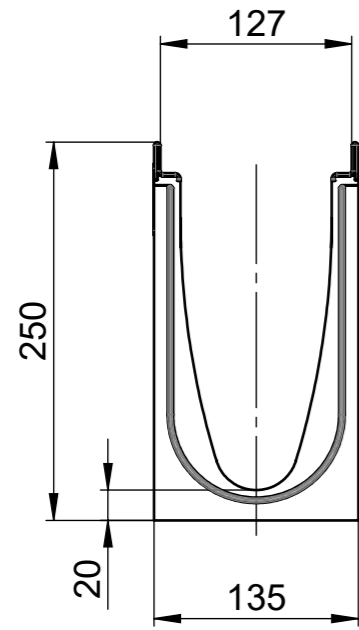
material number: 2003229  
 local article number: 132452

 ACO GmbH Am Ahlmannkai 24782 Büdelsdorf www.aco.com	drawing-no.: <b>1253685</b>	index: <b>005</b>	documenttype: marketing drw.
	created by:	reviewed by:	projection:ISO-E  scale: 1:5
title: <b>Multiline Seal in          Channel V100E 0,5m 10.1 with stainless steel rail          Rinne V100E 0,5m 10.1 mit Edelstahlzarge</b>			<b>serial-released</b>
<small>The reproduction, distribution and utilization of this document as well as the communication of its contents to others without express authorization is prohibited. Offenders will be held liable for the payment of damages. All rights reserved in the event of the grant of a patent, utility model or design. Observe copyright by ISO 16016</small>			release date: <b>15.04.2024</b> sheet: <b>1/1</b>


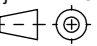


material number: 2003240  
 local article number: 132470

 ACO GmbH Am Ahlmannkai 24782 Büdelsdorf www.aco.com	drawing-no.: <b>1252205</b>	index: <b>004</b>	documenttype: <b>marketing drw.</b>	
	created by:	reviewed by:	projection: ISO-E 	scale: <b>1:5</b>
title: <b>Multiline seal in          Channel V100E 1m 20.0 with stainless steel rail          Rinne V100E 1m 20.0 mit Edelstahlzarge</b>			<b>serial-released</b>	
<small>The reproduction, distribution and utilization of this document as well as the communication of its contents to others without express authorization is prohibited. Offenders will be held liable for the payment of damages. All rights reserved in the event of the grant of a patent, utility model or design. Observe copyright by ISO 16016</small>			release date: <b>15.04.2024</b>	sheet: <b>1/1</b>



material number: 2003241  
 local article number: 132472

 ACO GmbH Am Ahlmannkai 24782 Büdelsdorf www.aco.com	drawing-no.: <b>1255270</b>	index: <b>005</b>	documenttype: <b>marketing drw.</b>	
	created by:	reviewed by:	projection: ISO-E 	scale: <b>1:5</b>
title: <b>Multiline Seal in          Channel V100E 0,5m 20.1 with stainless steel rail          Rinne V100E 0,5m 20.1 mit Edelstahlzarge</b>			<b>serial-released</b>	
<small>The reproduction, distribution and utilization of this document as well as the communication of its contents to others without express authorization is prohibited. Offenders will be held liable for the payment of damages. All rights reserved in the event of the grant of a patent, utility model or design. Observe copyright by ISO 16016</small>			release date: <b>15.04.2024</b>	sheet: <b>1/1</b>