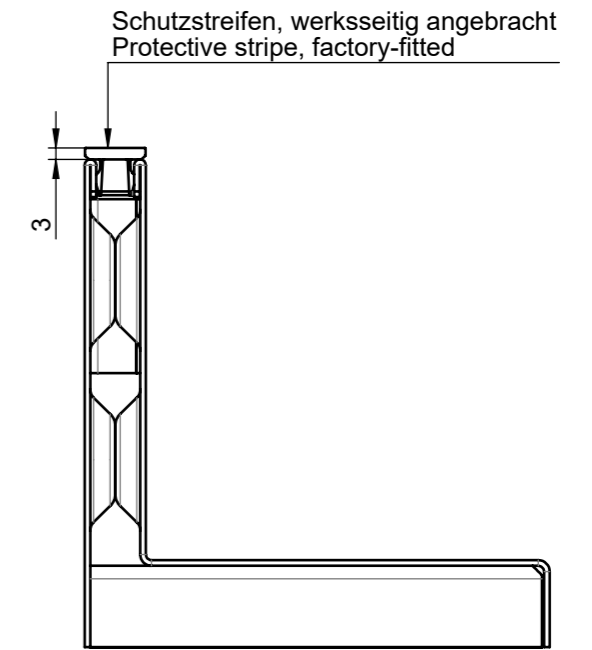
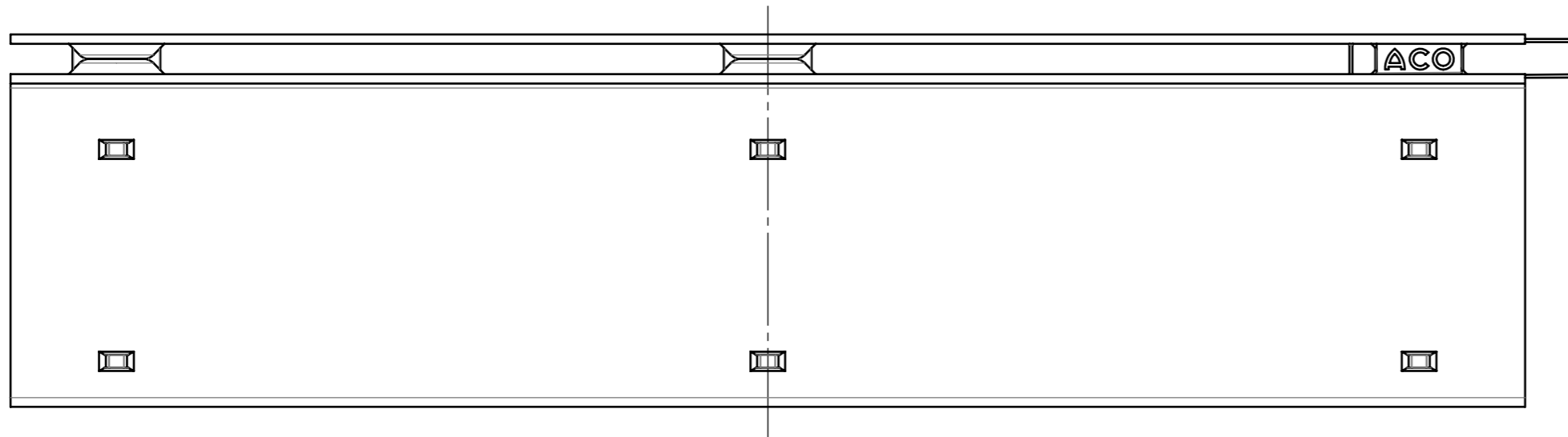
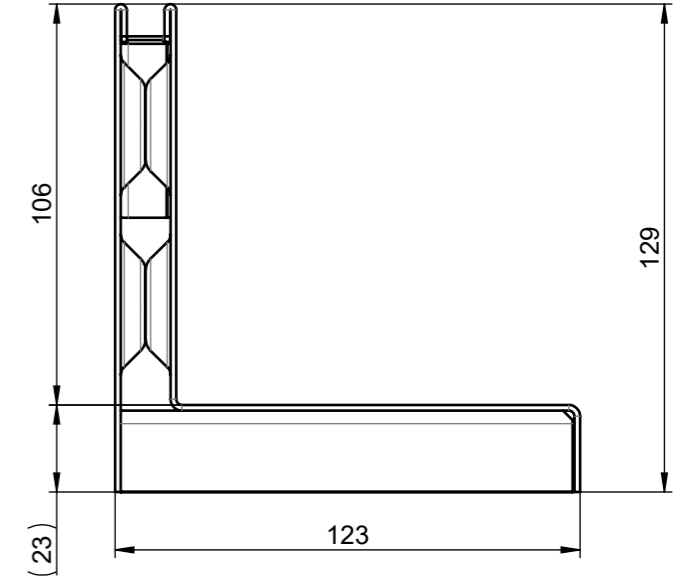
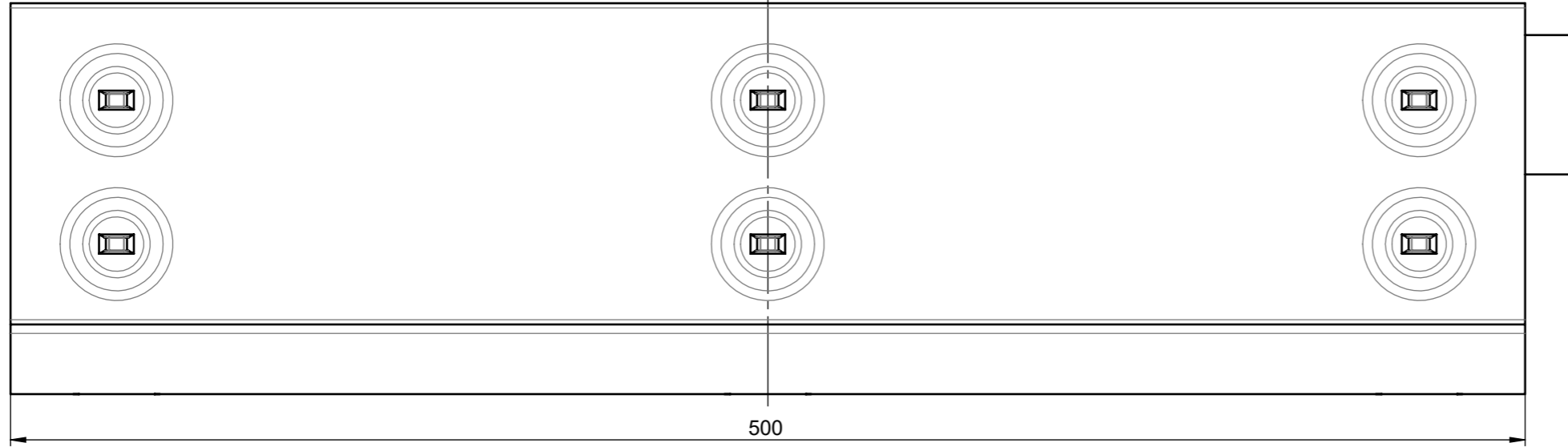
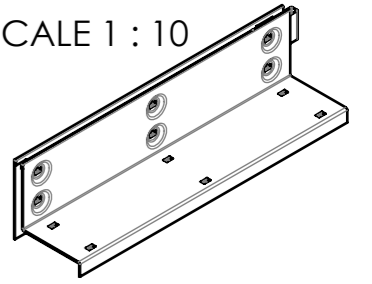

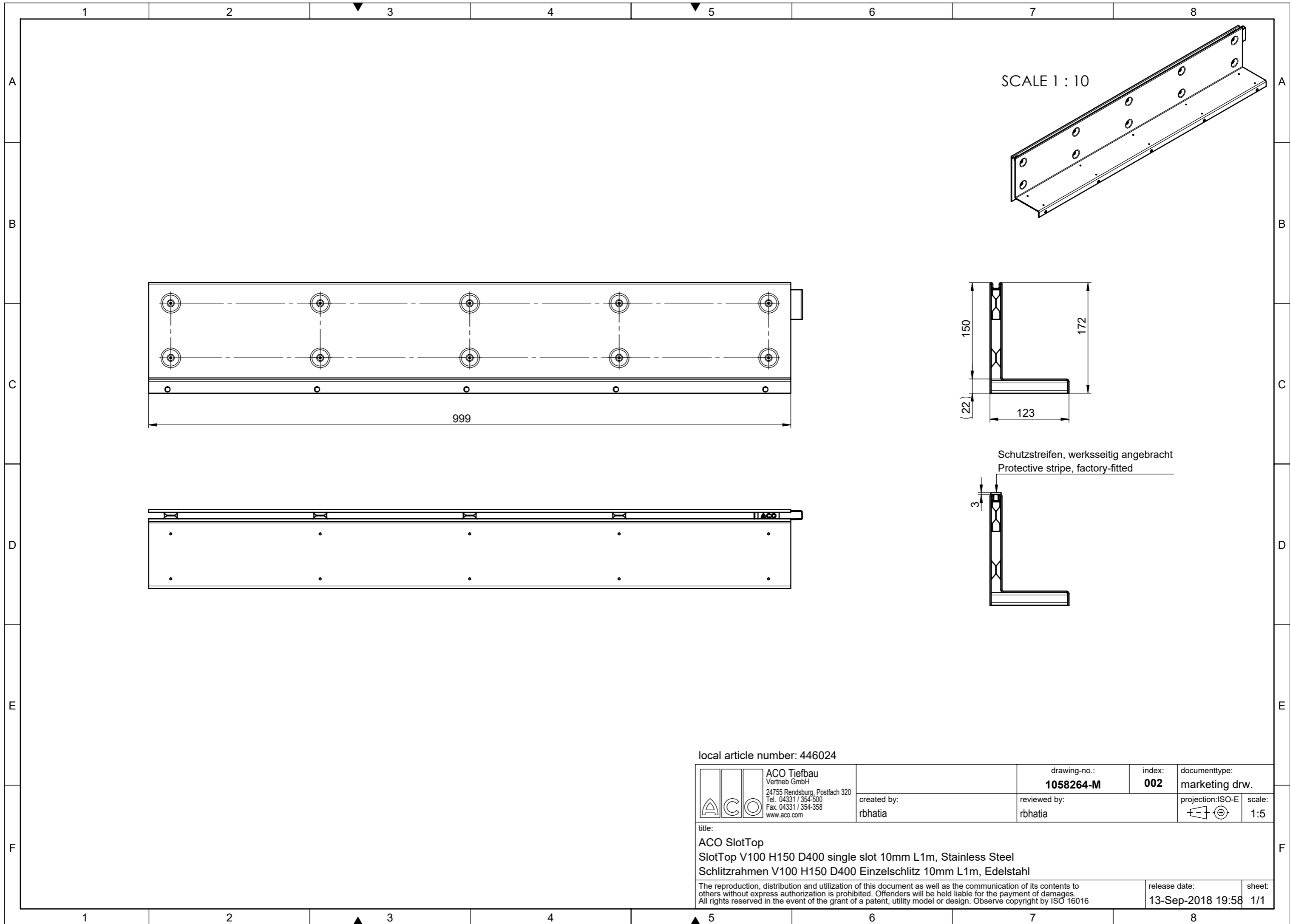


SCALE 1 : 10



local article number: 445601

 <p>ACO Tiefbau Vertrieb GmbH 24755 Rendsburg, Postfach 320 Tel. 04331 / 354-500 Fax. 04331 / 354-358 www.aco.com</p>	<p>created by: rbhatia</p>	<p>drawing-no.: <b>1013320-M</b></p>	<p>index: <b>003</b></p>	<p>documenttype: marketing drw.</p>
	<p>title: <b>Brickslot</b> SlotTop V100 H105 C250 single slot 10mm L0.5m, stainless steel Schlitzrahmen V100 H105 C250 Einzelschlitz 10mm L0.5m, Edelstahl</p>	<p>reviewed by: rbhatia</p>	<p>projection: ISO-E</p>	<p>scale: 1:2</p>
<p>The reproduction, distribution and utilization of this document as well as the communication of its contents to others without express authorization is prohibited. Offenders will be held liable for the payment of damages. All rights reserved in the event of the grant of a patent, utility model or design. Observe copyright by ISO 16016</p>			<p>sheet: 1/1</p>	



SCALE 1 : 10


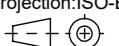
999

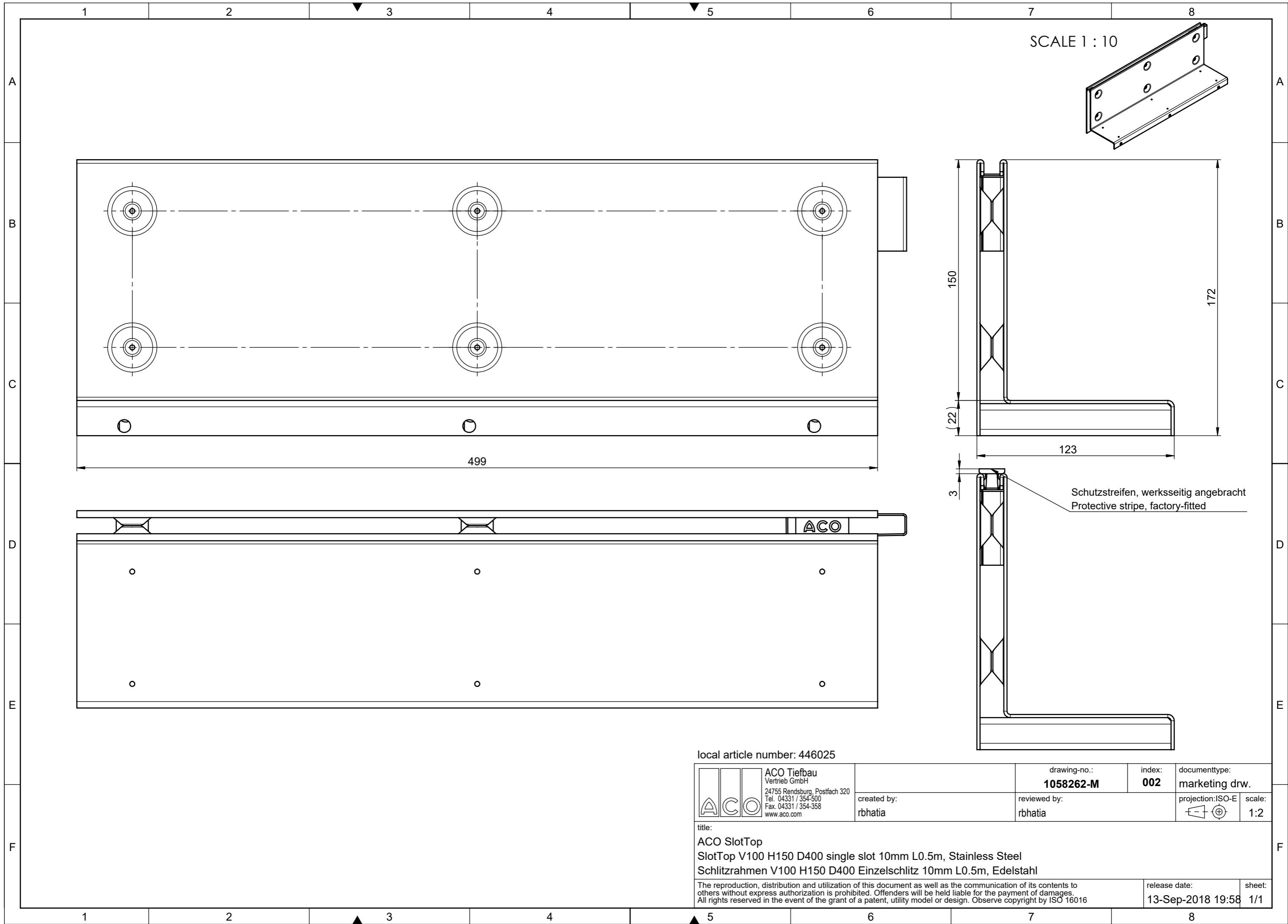
150  
172  
123  
(22)

Schutzstreifen, werksseitig angebracht  
Protective stripe, factory-fitted

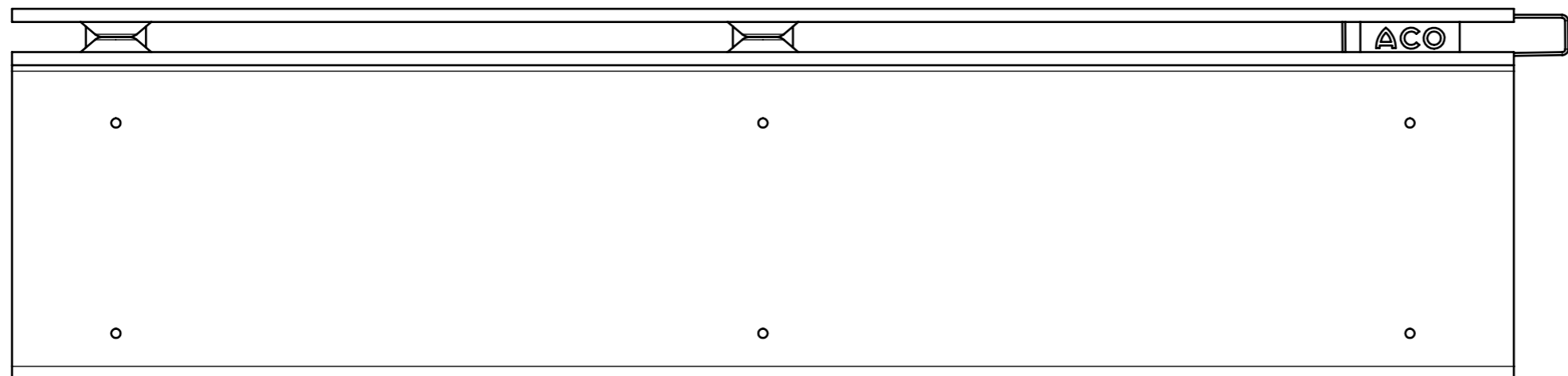
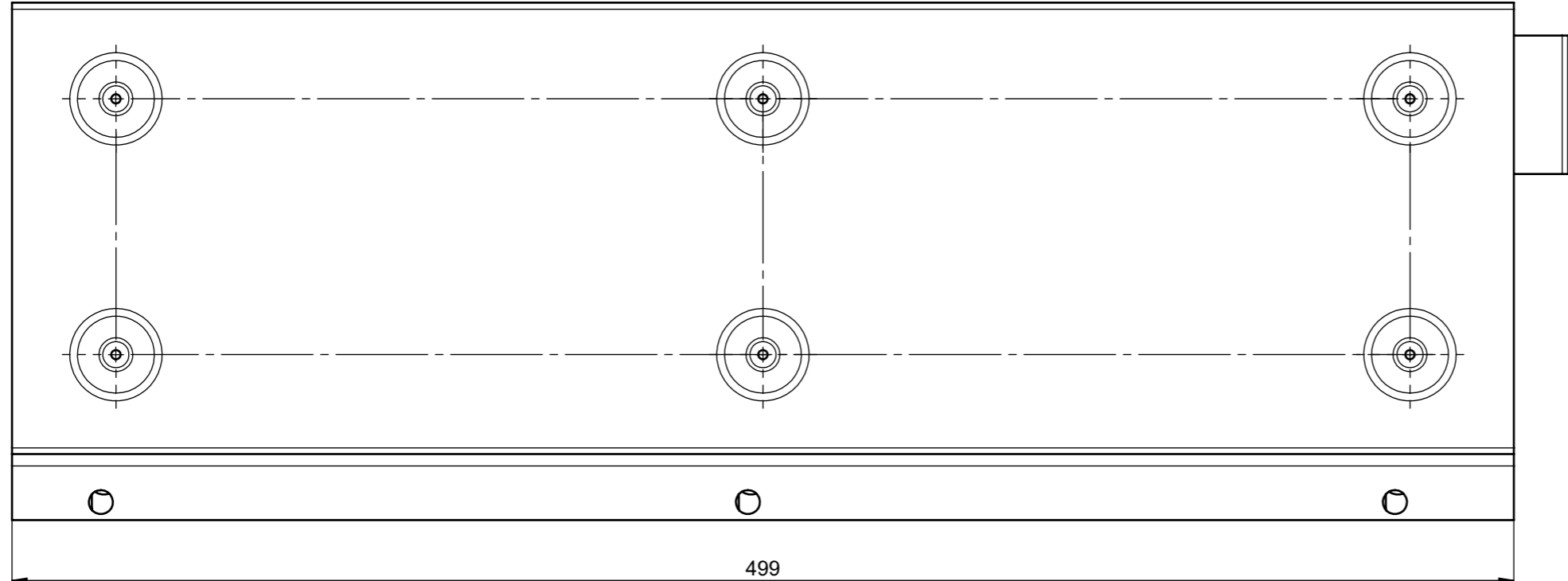
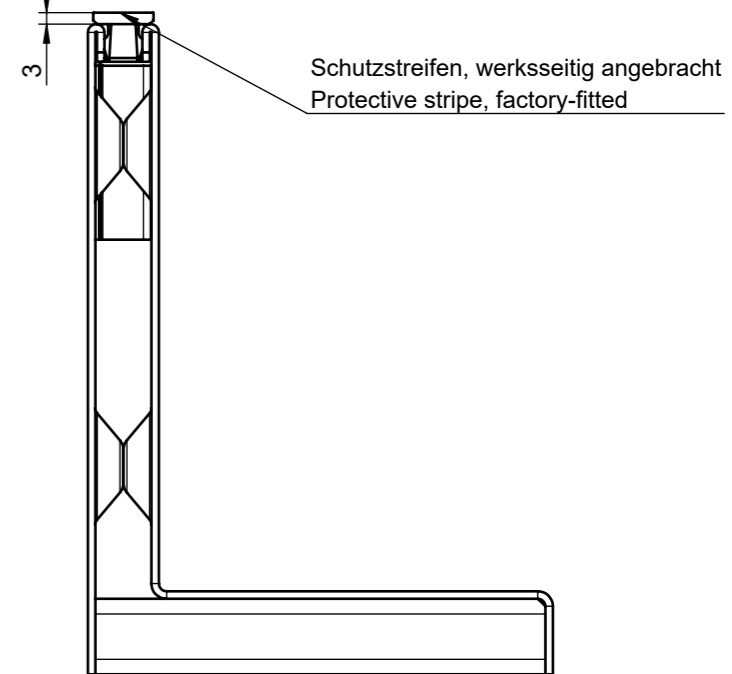
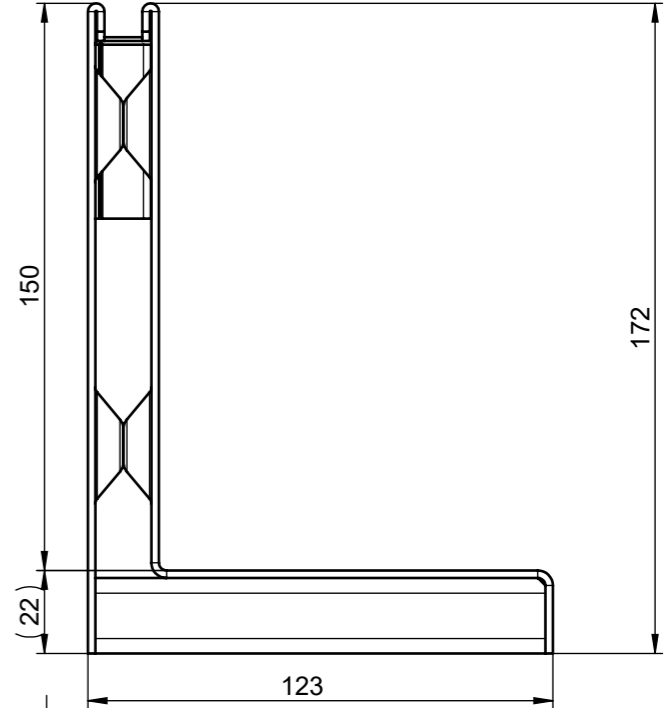
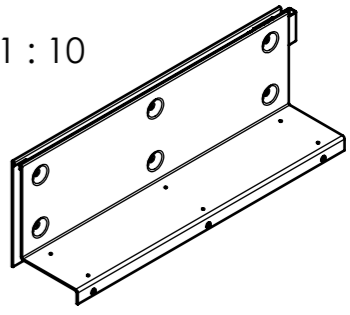
3

local article number: 446024

 ACO Tiefbau Vertrieb GmbH 24755 Rendsburg, Postfach 320 Tel. 04331 / 354-500 Fax. 04331 / 354-358 www.aco.com	drawing-no.: <b>1058264-M</b>	index: <b>002</b>	documenttype: <b>marketing drw.</b>
	created by: rbhatia	reviewed by: rbhatia	projection: ISO-E 
title: <b>ACO SlotTop</b> <b>SlotTop V100 H150 D400 single slot 10mm L1m, Stainless Steel</b> <b>Schlitzrahmen V100 H150 D400 Einzelschlitz 10mm L1m, Edelstahl</b>			
The reproduction, distribution and utilization of this document as well as the communication of its contents to others without express authorization is prohibited. Offenders will be held liable for the payment of damages. All rights reserved in the event of the grant of a patent, utility model or design. Observe copyright by ISO 16016			release date: <b>13-Sep-2018 19:58</b>
			sheet: <b>1/1</b>

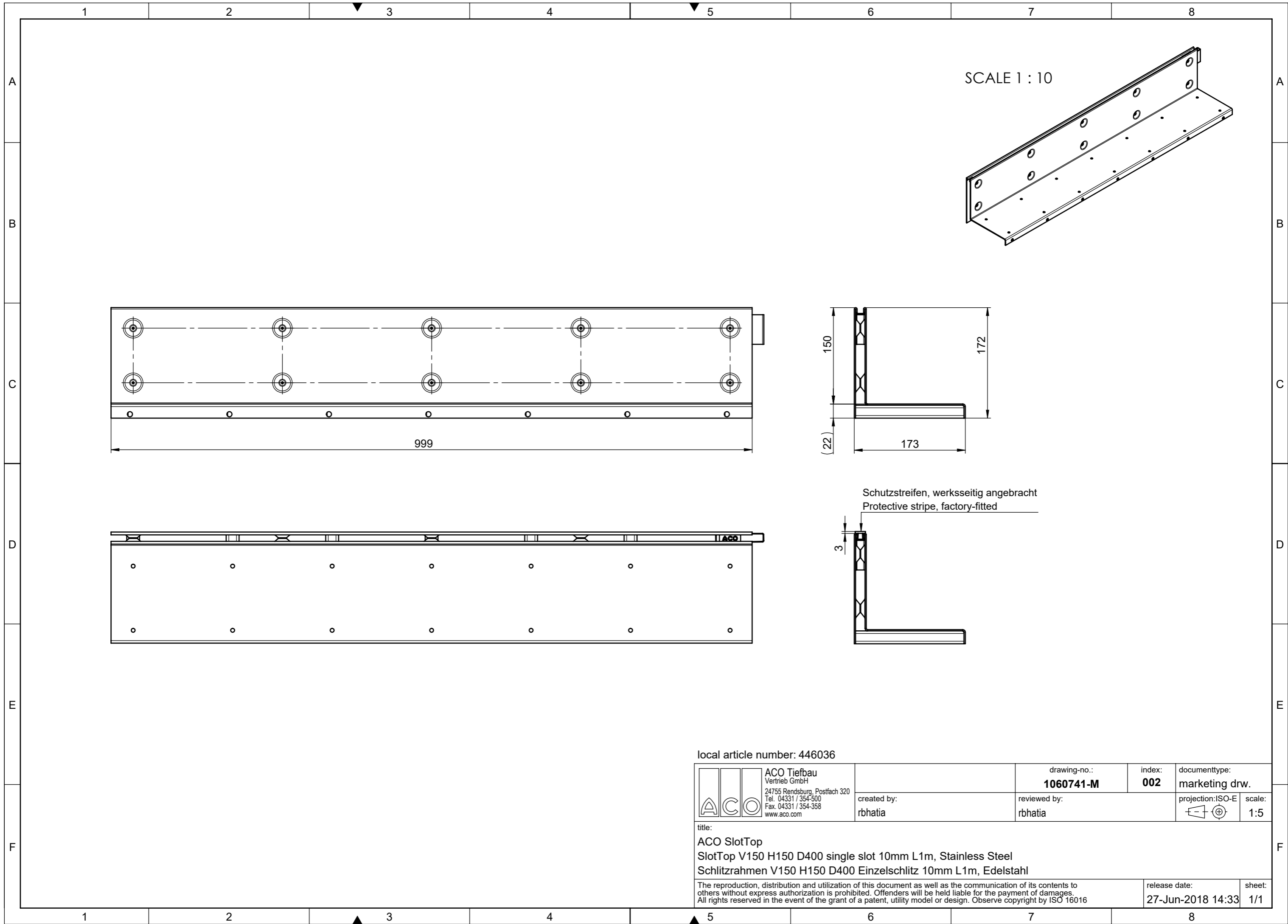


SCALE 1 : 10



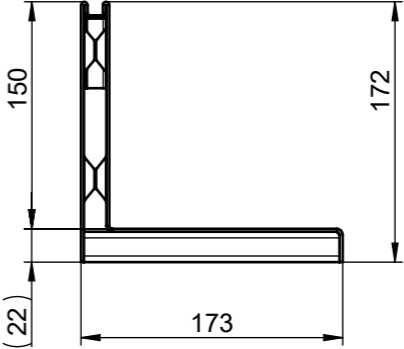
local article number: 446025

	ACO Tiefbau Vertrieb GmbH 24755 Rendsburg, Postfach 320 Tel. 04331 / 354-500 Fax. 04331 / 354-358 www.aco.com	drawing-no.: <b>1058262-M</b>	index: <b>002</b>	documenttype: <b>marketing drw.</b>
	created by: rbhatia	reviewed by: rbhatia	projection: ISO-E 	scale: <b>1:2</b>
title: <b>ACO SlotTop</b> <b>SlotTop V100 H150 D400 single slot 10mm L0.5m, Stainless Steel</b> <b>Schlitzrahmen V100 H150 D400 Einzelschlit 10mm L0.5m, Edelstahl</b>				release date: <b>13-Sep-2018 19:58</b>
The reproduction, distribution and utilization of this document as well as the communication of its contents to others without express authorization is prohibited. Offenders will be held liable for the payment of damages. All rights reserved in the event of the grant of a patent, utility model or design. Observe copyright by ISO 16016				sheet: <b>1/1</b>

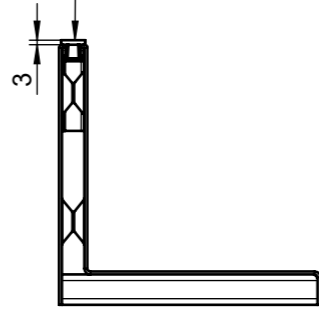


SCALE 1 : 10

999

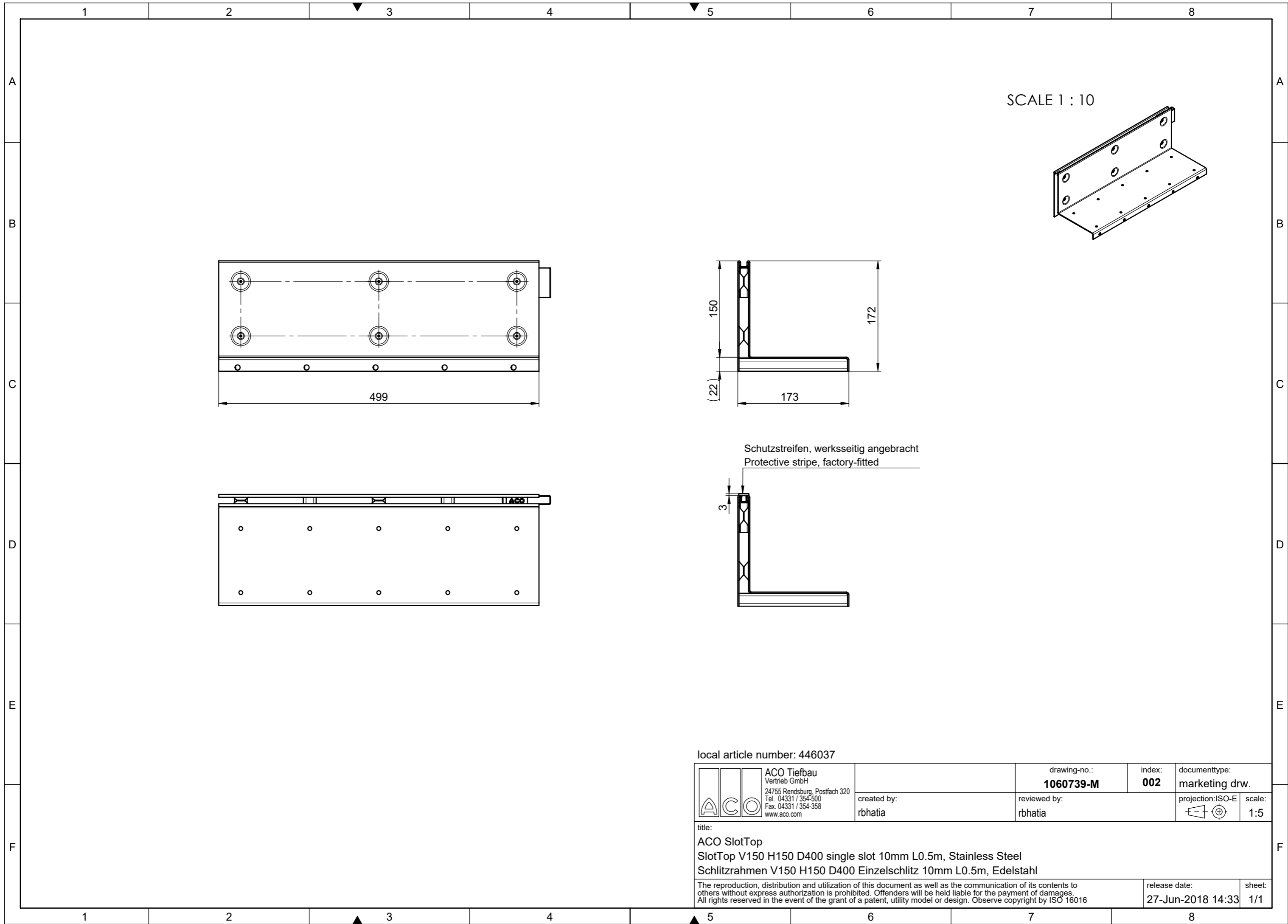


Schutzstreifen, werksseitig angebracht  
Protective stripe, factory-fitted

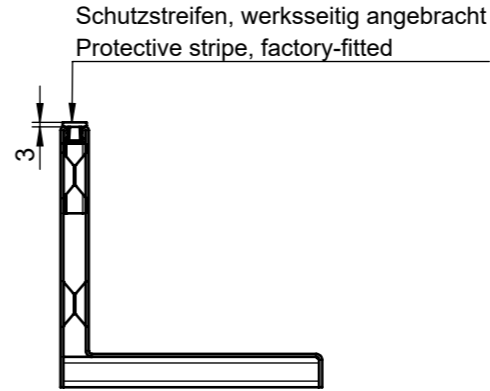
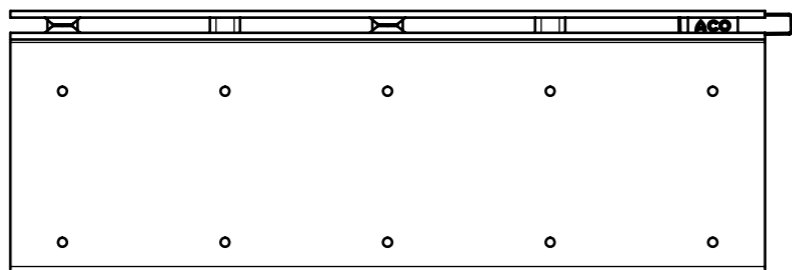
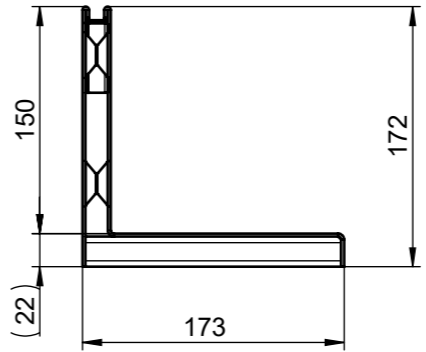
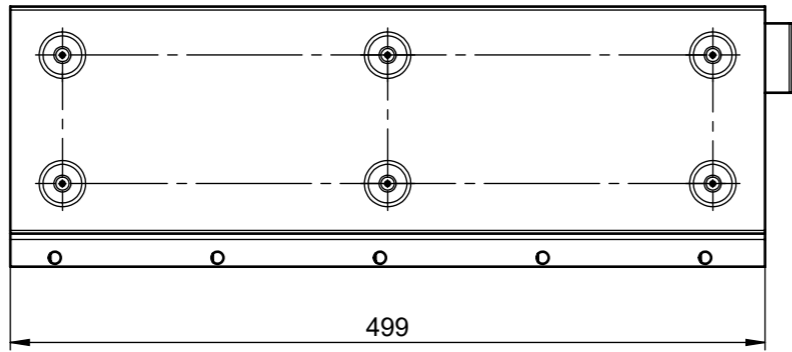


local article number: 446036


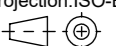
 ACO Tiefbau Vertrieb GmbH 24755 Rendsburg, Postfach 320 Tel. 04331 / 354-500 Fax. 04331 / 354-358 www.aco.com	drawing-no.: <b>1060741-M</b>	index: <b>002</b>	documenttype: <b>marketing drw.</b>
	created by: rbhatia	reviewed by: rbhatia	projection: ISO-E 
title: <b>ACO SlotTop</b> <b>SlotTop V150 H150 D400 single slot 10mm L1m, Stainless Steel</b> <b>Schlitzrahmen V150 H150 D400 Einzelschlit 10mm L1m, Edelstahl</b>			release date: 27-Jun-2018 14:33
<small>The reproduction, distribution and utilization of this document as well as the communication of its contents to others without express authorization is prohibited. Offenders will be held liable for the payment of damages. All rights reserved in the event of the grant of a patent, utility model or design. Observe copyright by ISO 16016</small>			sheet: 1/1

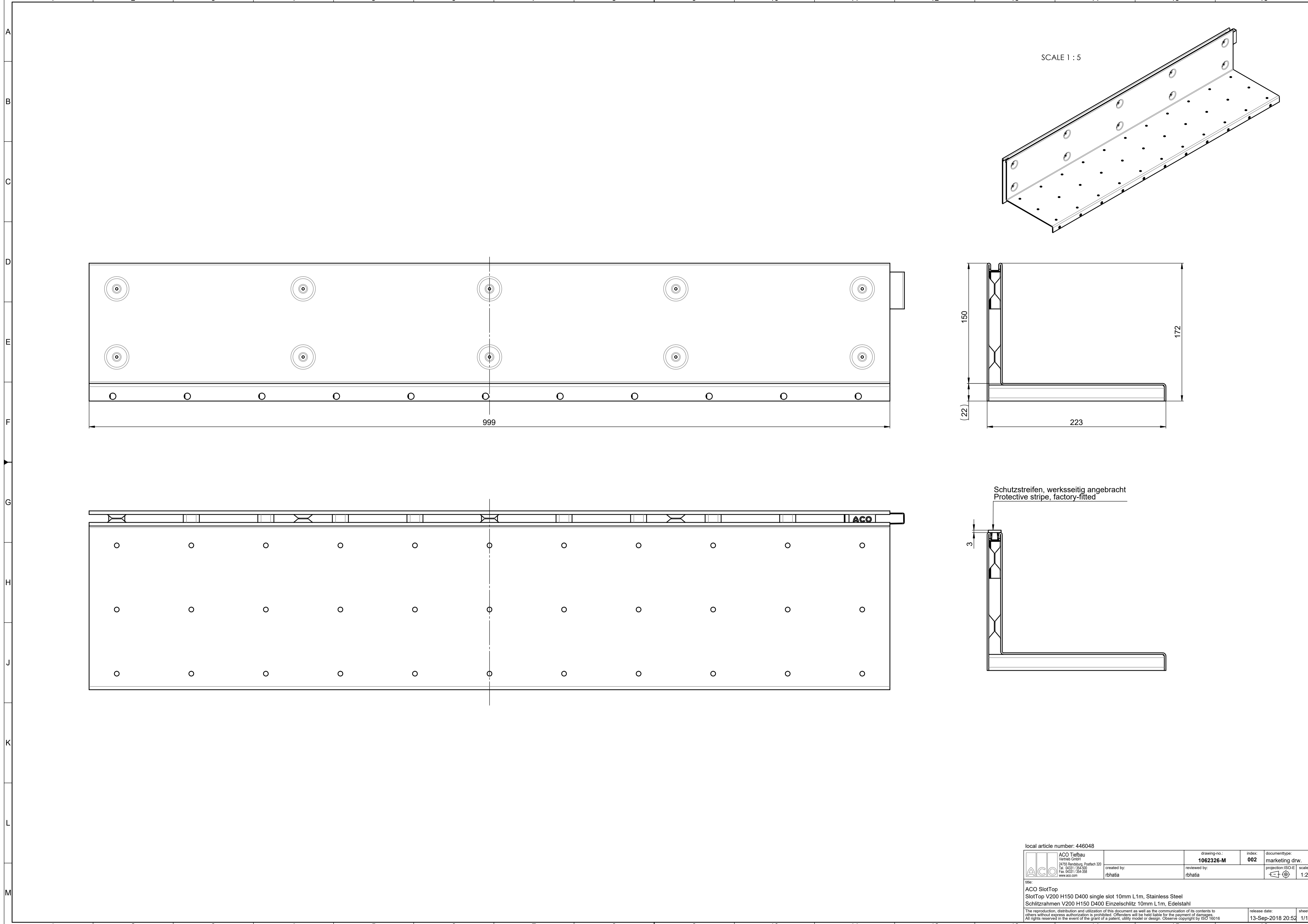


SCALE 1 : 10



local article number: 446037

 ACO Tiefbau Vertrieb GmbH 24755 Rendsburg, Postfach 320 Tel. 04331 / 354-500 Fax. 04331 / 354-358 www.aco.com	drawing-no.: <b>1060739-M</b>	index: <b>002</b>	documenttype: <b>marketing drw.</b>
	created by: rbhatia	reviewed by: rbhatia	projection: ISO-E 
title: <b>ACO SlotTop</b> <b>SlotTop V150 H150 D400 single slot 10mm L0.5m, Stainless Steel</b> <b>Schlitzrahmen V150 H150 D400 Einzelschlit 10mm L0.5m, Edelstahl</b>			release date: <b>27-Jun-2018 14:33</b>
The reproduction, distribution and utilization of this document as well as the communication of its contents to others without express authorization is prohibited. Offenders will be held liable for the payment of damages. All rights reserved in the event of the grant of a patent, utility model or design. Observe copyright by ISO 16016			sheet: <b>1/1</b>




SCALE 1 : 5

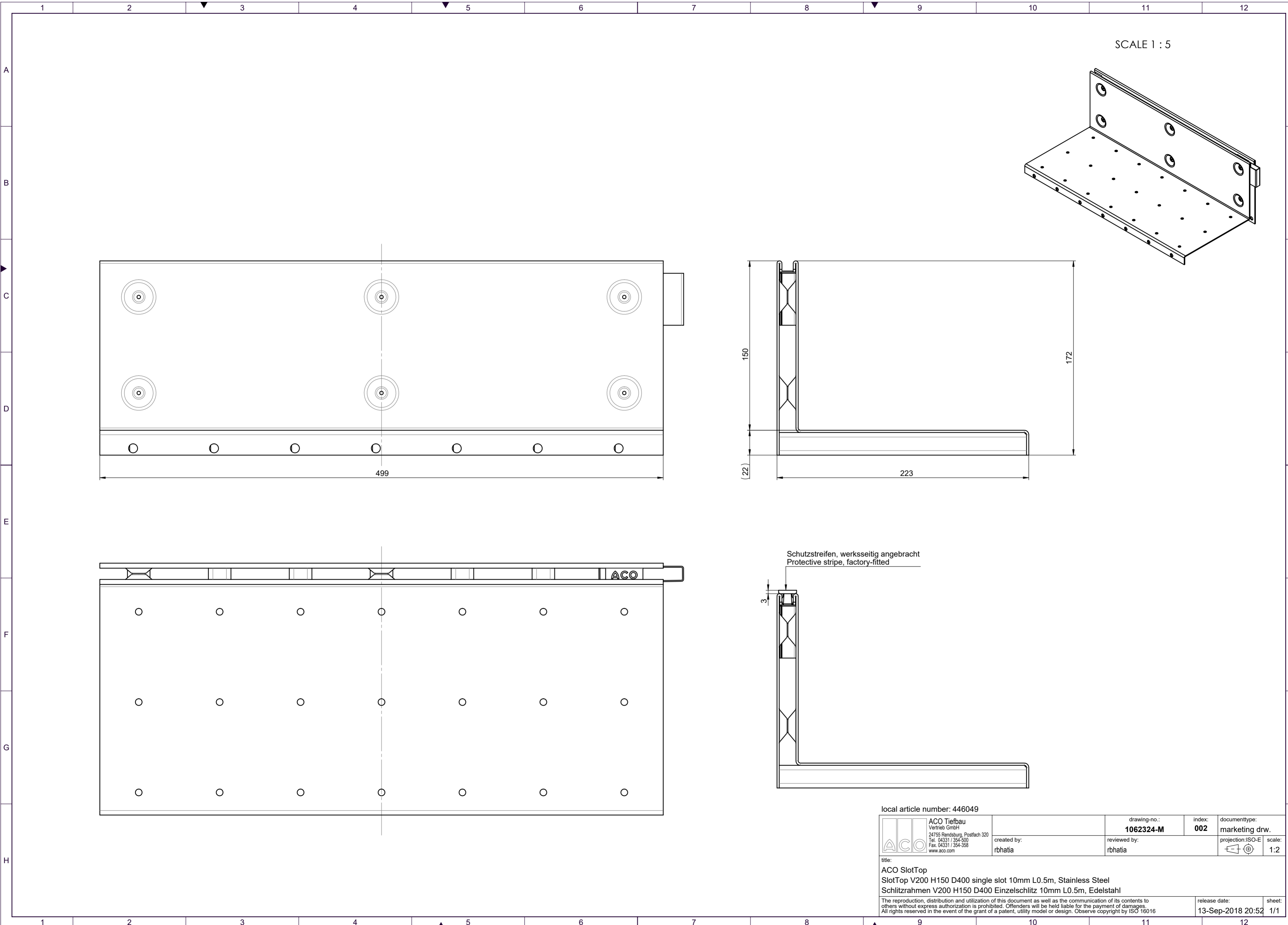
999

150  
172  
223  
(22)

Schutzstreifen, werksseitig angebracht  
Protective stripe, factory-fitted

3

local article number: 446048		drawing-no.: <b>1062326-M</b>	index: <b>002</b>	documenttype: marketing drw.
	ACO Tiefbau Vertriebs-Gesellschaft 24755 Rendsburg, Postfach 300 Tel. 04331 354-500 Fax. 04331 354-388 www.aco.com	created by: rbhatta	reviewed by:	projection: ISO-E scale: 1:2
title: ACO SlotTop SlotTop V200 H150 D400 single slot 10mm L1m, Stainless Steel Schlitzrahmen V200 H150 D400 Einzelschlitz 10mm L1m, Edelstahl				release date: 13-Sep-2018 20:54
The reproduction, distribution and utilization of this document as well as the communication of its contents to others without express authorization is prohibited. Offenders will be held liable for the payment of damages. All rights reserved in the event of the grant of a patent, utility model or design. Observe copyright by ISO 15016				sheet: 1/1



SCALE 1 : 5

499

150

172

(22)

223

Schutzstreifen, werksseitig angebracht  
Protective stripe, factory-fitted

3

local article number: 446049

**ACO** ACO Tiefbau  
Vertrieb GmbH  
24755 Rendsburg, Postfach 320  
Tel. 04331 / 354-500  
Fax. 04331 / 354-358  
www.aco.com

created by:  
rbhatia

drawing-no.:  
**1062324-M**

index:  
**002**

documenttype:  
marketing drw.

reviewed by:  
rbhatia

projection: ISO-E

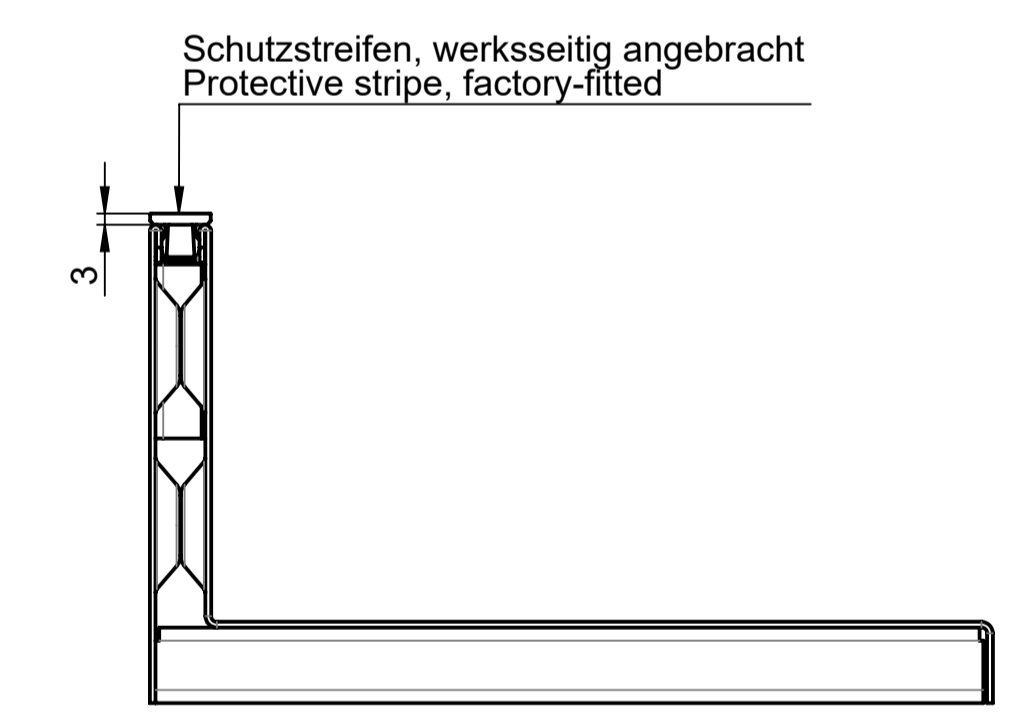
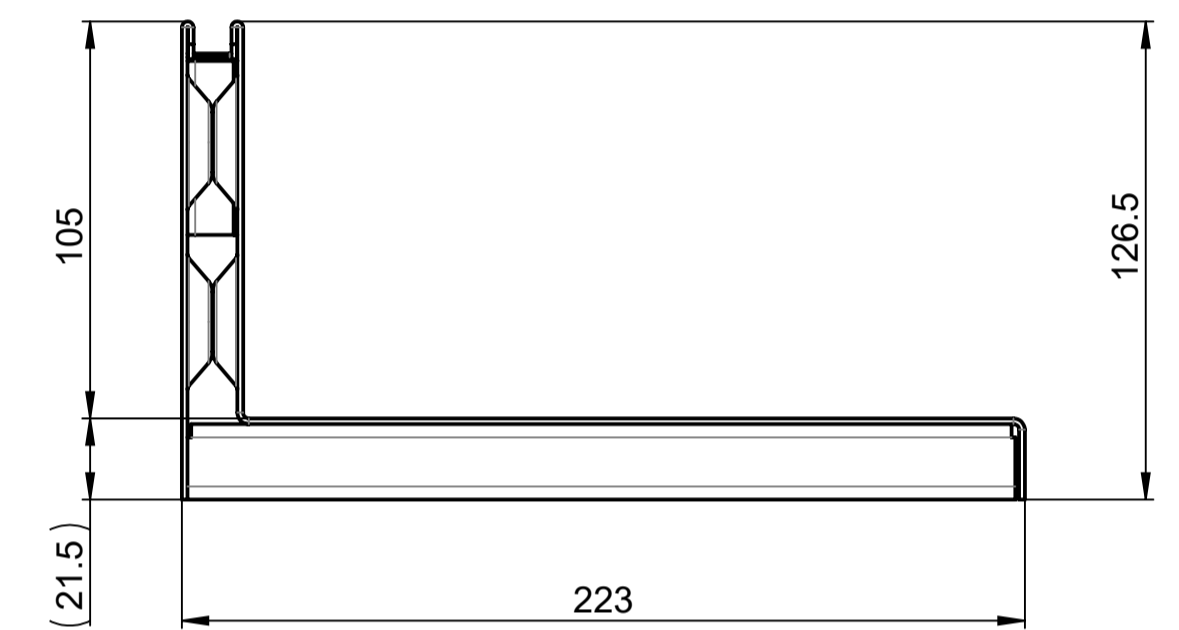
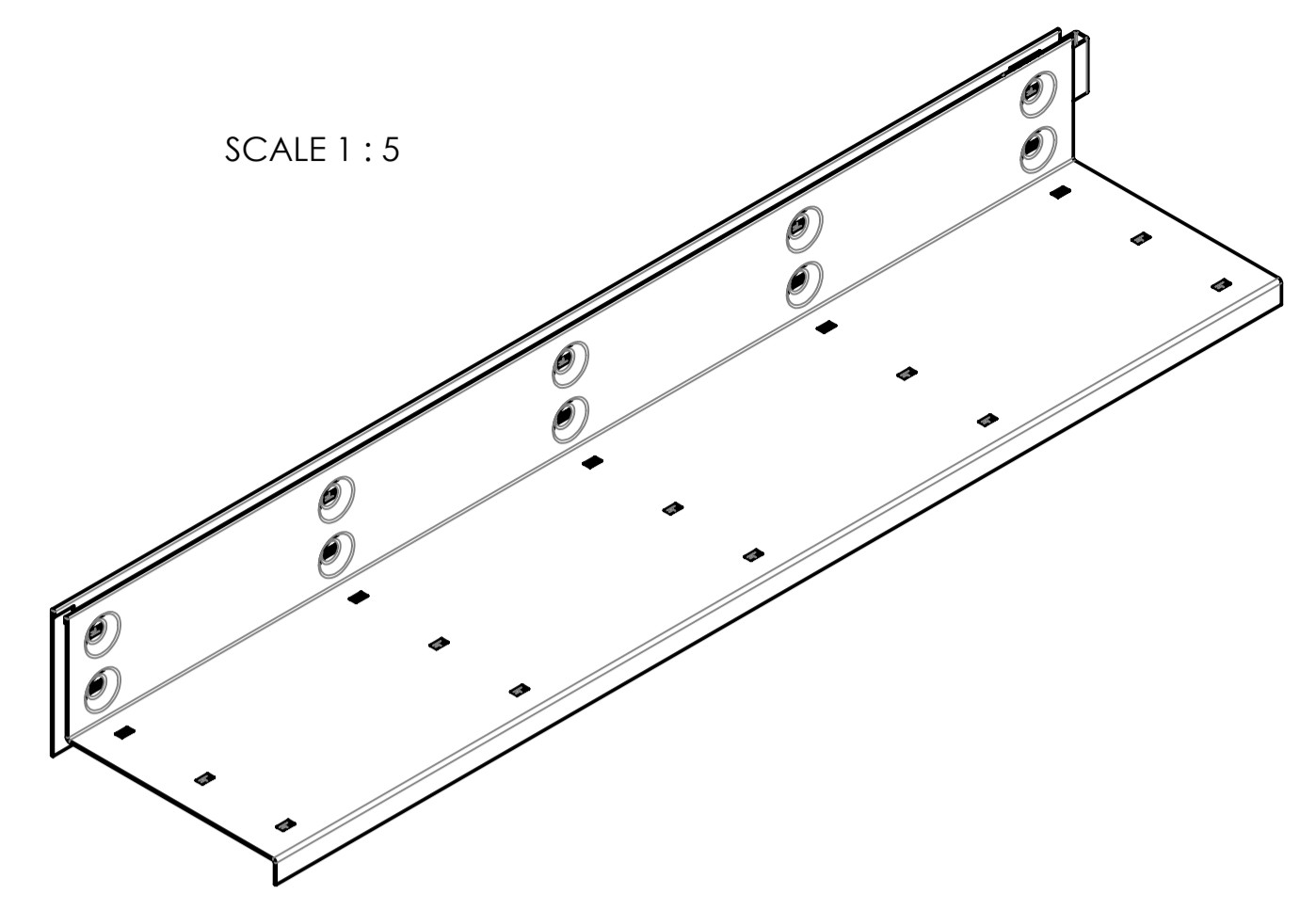
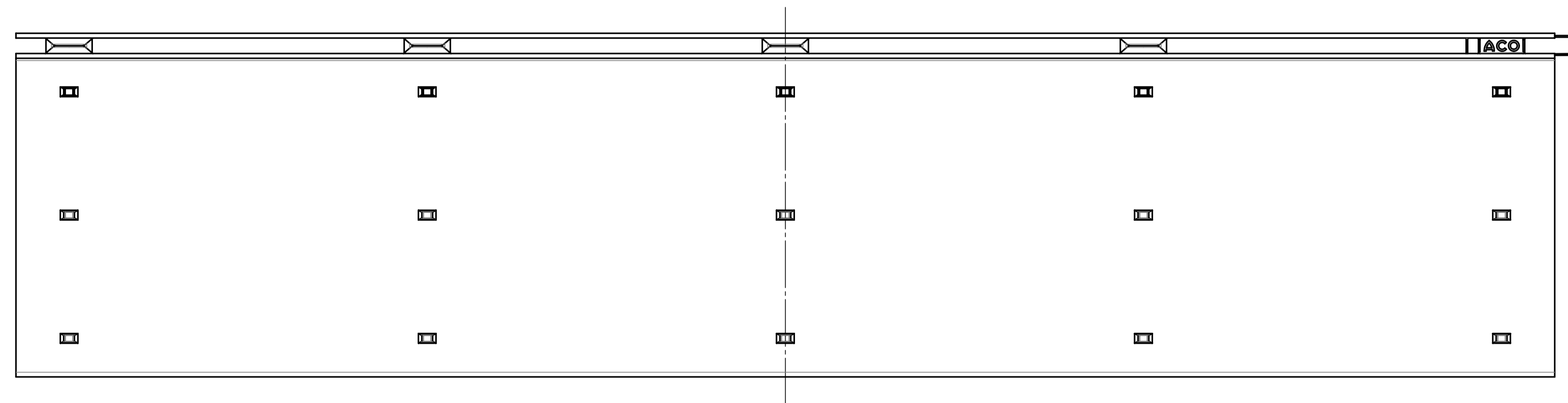
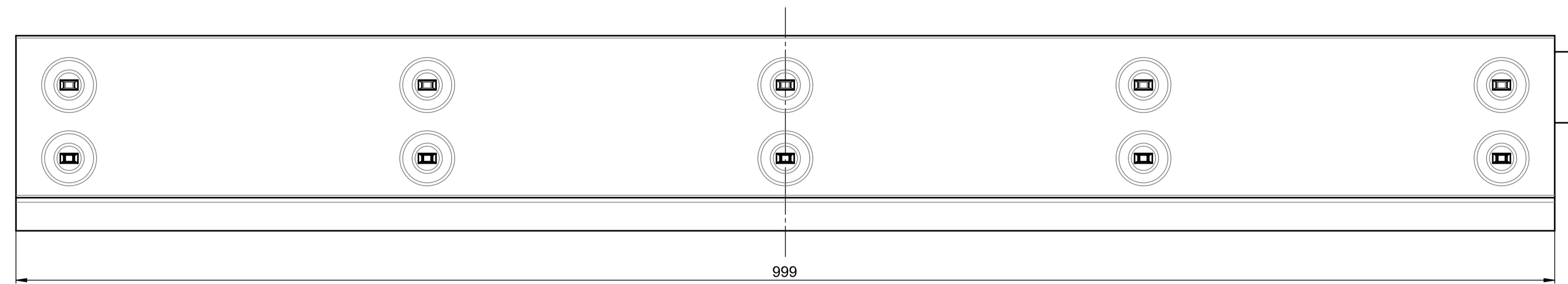
scale:  
1:2

title:  
ACO SlotTop  
SlotTop V200 H150 D400 single slot 10mm L0.5m, Stainless Steel  
Schlitzrahmen V200 H150 D400 Einzelschlitz 10mm L0.5m, Edelstahl


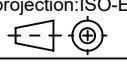
The reproduction, distribution and utilization of this document as well as the communication of its contents to others without express authorization is prohibited. Offenders will be held liable for the payment of damages. All rights reserved in the event of the grant of a patent, utility model or design. Observe copyright by ISO 16016

release date:  
13-Sep-2018 20:52

sheet:  
1/1



local article number: 446137

 ACO Tiefbau Vertrieb GmbH 24755 Rendsburg, Postfach 300 Tel. 04331 354-500 Fax. 04331 354-368 www.aco.com	drawing-no.: <b>1052464-M</b>	index: <b>003</b>	documenttype: marketing drw.
	created by: rbhata	reviewed by: rbhata	projection: ISO-E 

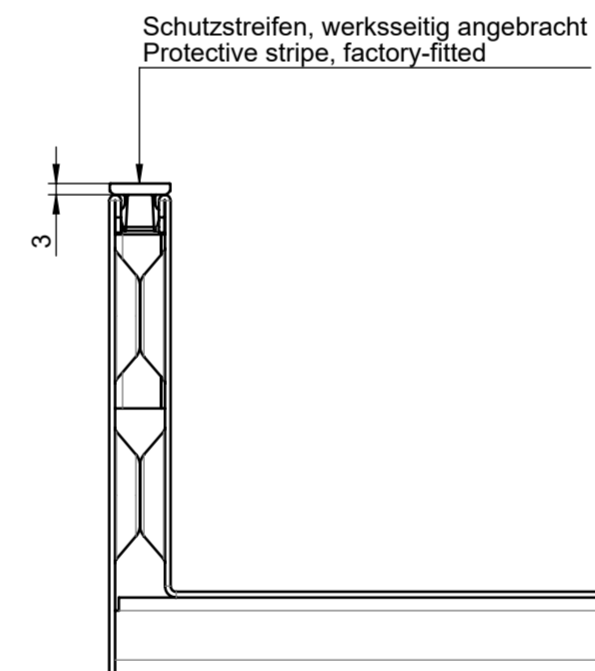
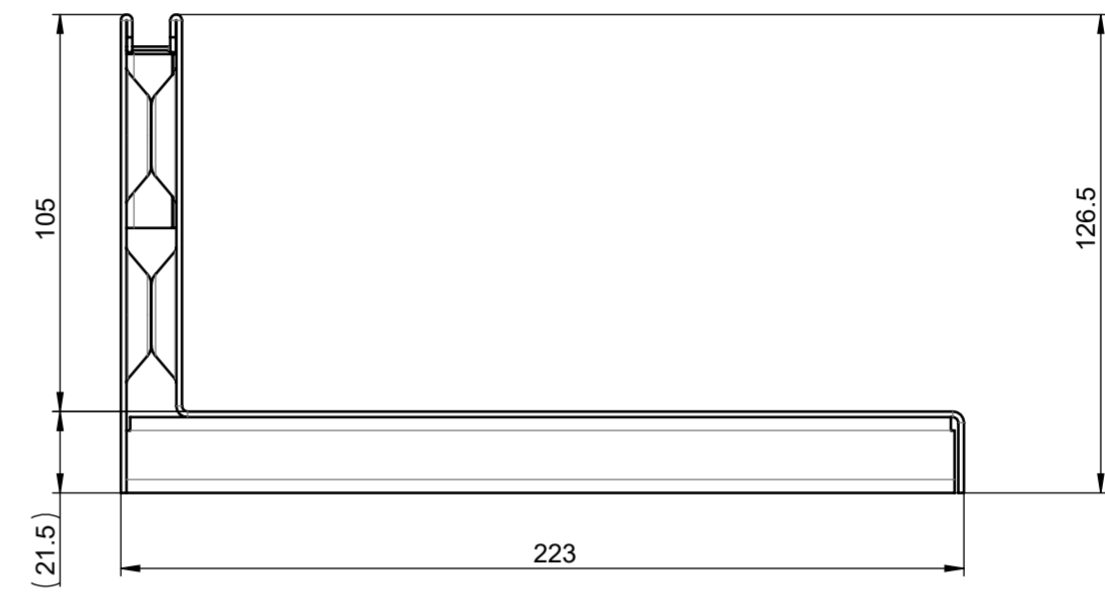
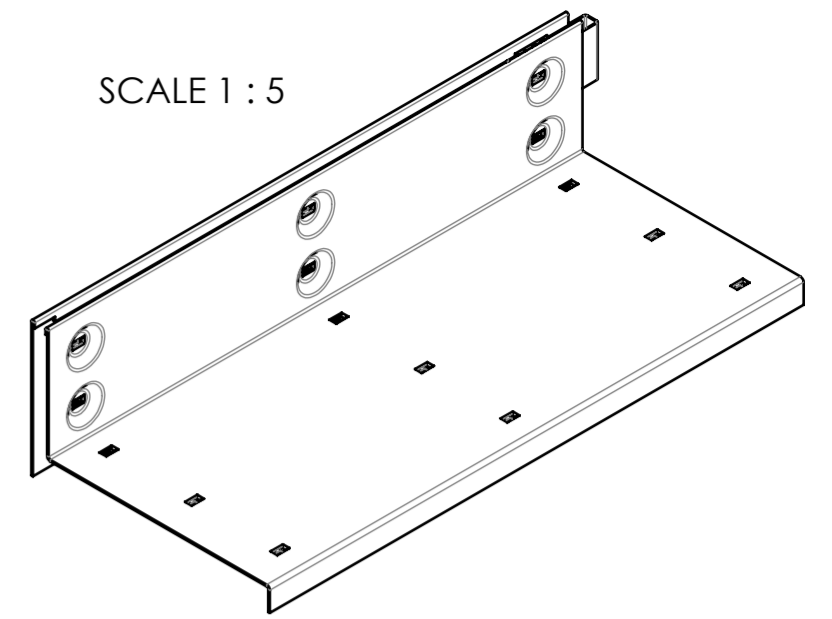
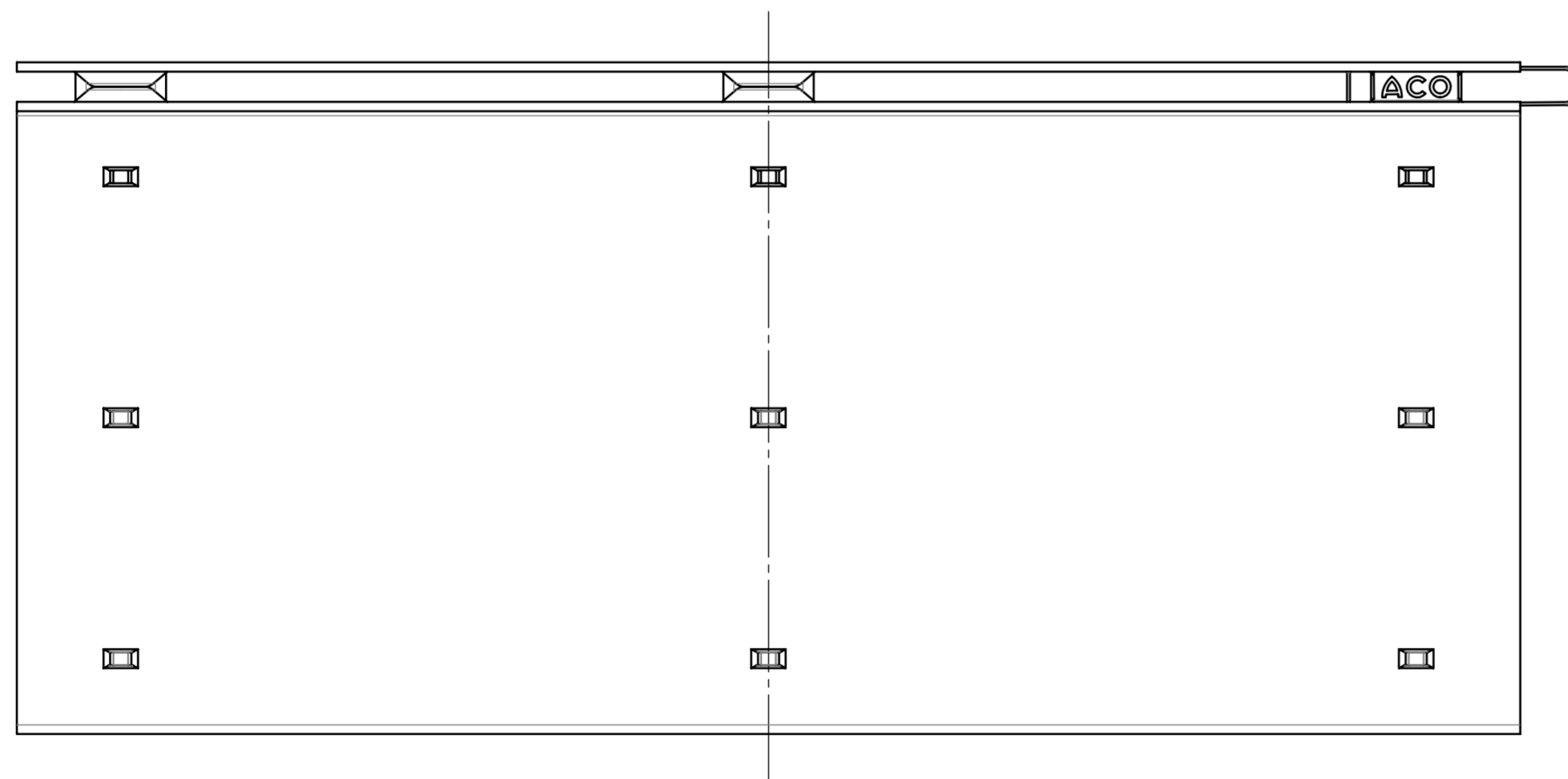
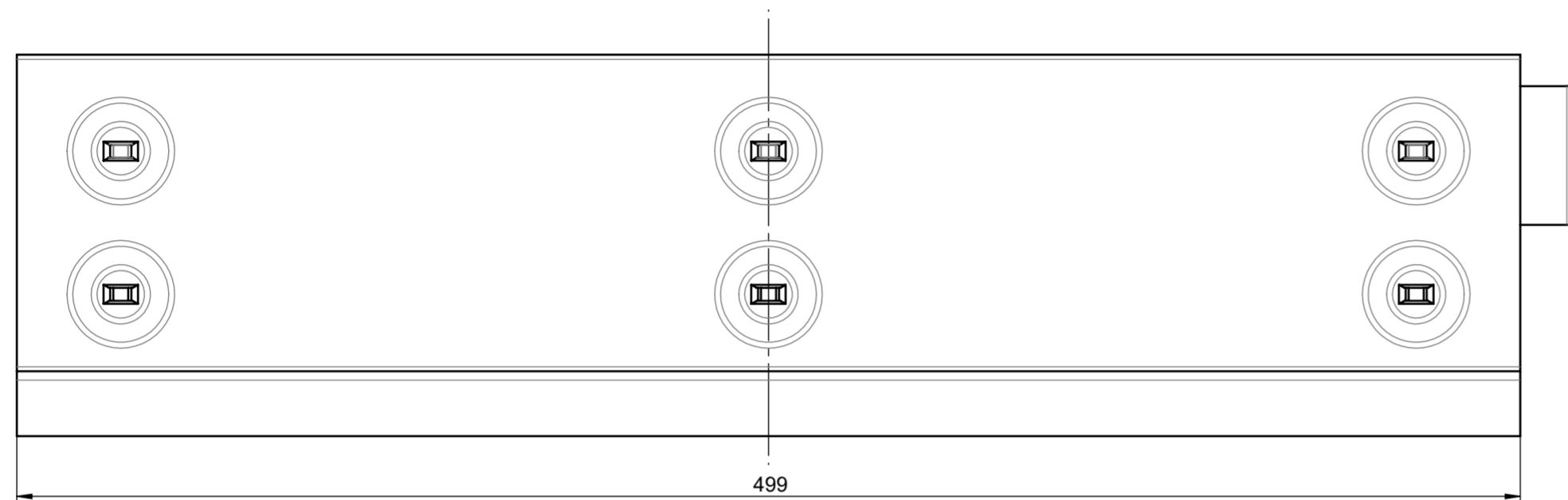
title:  
 ACO SlotTop  
 SlotTop V200 H105 C250 single slot 10mm L1m, stainless steel  
 Schlitzrahmen V200 H105 C250 Einzelschlitz 10mm L1m, Edelstahl

The reproduction, distribution and utilization of this document as well as the communication of its contents to others without express authorization is prohibited. Offenders will be held liable for the payment of damages. All rights reserved in the event of the grant of a patent, utility model or design. Observe copyright by ISO 15016


release date:  
 26-Jun-2018 17:40  
 sheet:  
 1/1

1 2 3 4 5 6 7 8 9 10 11 12

A  
B  
C  
D  
E  
F  
G  
H



local article number: 446138

	ACO Tiefbau Vertrieb GmbH 24755 Rendsburg, Postfach 320 Tel. 04331 / 354-500 Fax. 04331 / 354-358 www.aco.com	drawing-no.: <b>1052466-M</b>	index: <b>003</b>	documenttype: marketing drw.
	created by: rbhatia	reviewed by: rbhatia	projection: ISO-E	scale: 1:2

title:  
**ACO SlotTop**  
**SlotTop V200 H105 C250 single slot 10mm L0.5m, stainless steel**  
**Schlitzrahmen V200 H105 C250 Einzelschlit 10mm L0.5m, Edelstahl**

The reproduction, distribution and utilization of this document as well as the communication of its contents to others without express authorization is prohibited. Offenders will be held liable for the payment of damages. All rights reserved in the event of the grant of a patent, utility model or design. Observe copyright by ISO 16016

release date:  
**26-Jun-2018 17:40**

sheet:  
**1/1**

1 2 3 4 5 6 7 8 9 10 11 12