
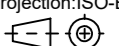
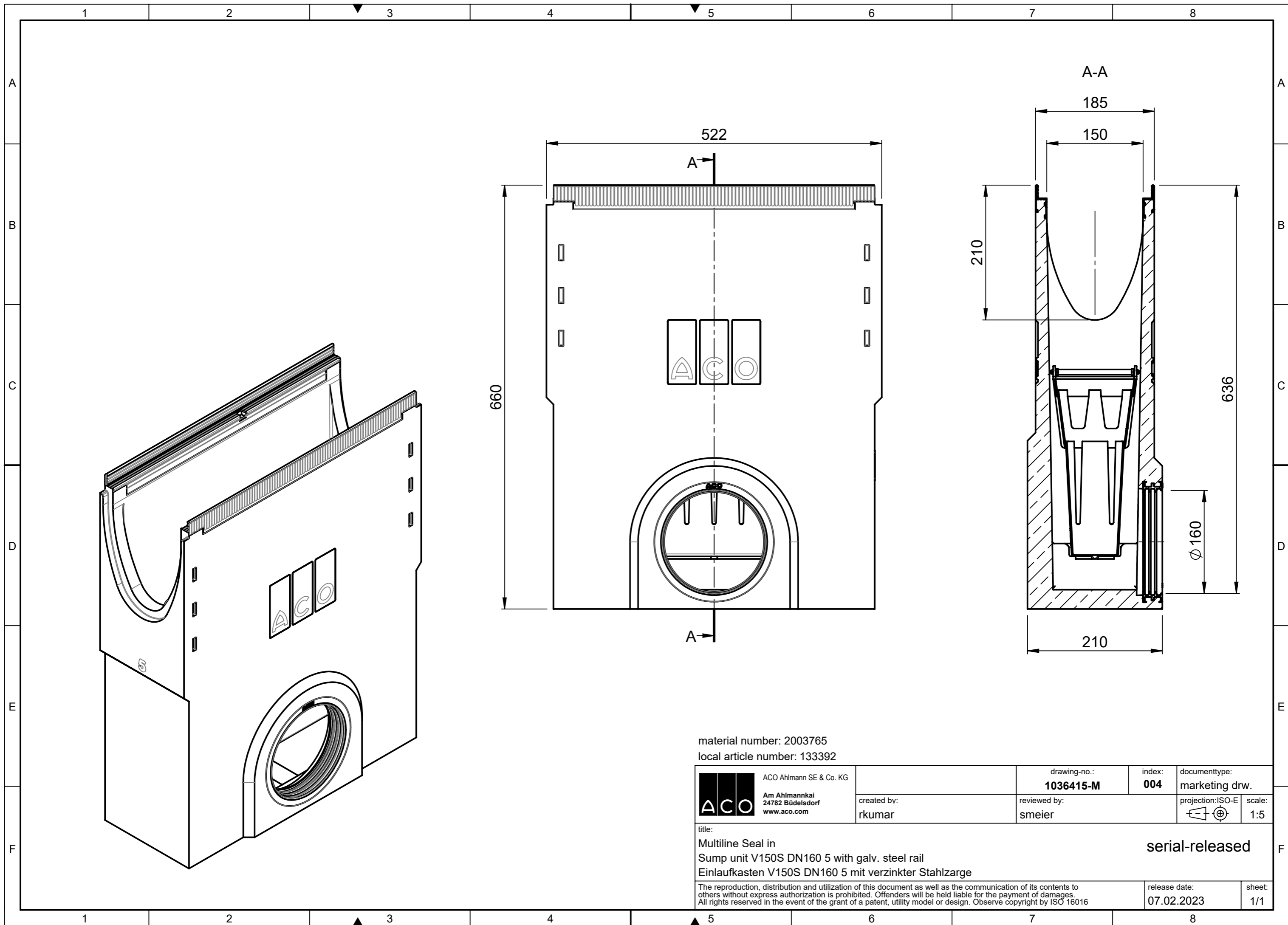

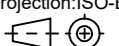


material number: 2003764  
 local article number: 133391

 ACO Ahlmann SE & Co. KG Am Ahlmannkai 24782 Büdelsdorf www.aco.com	drawing-no.: <b>1036412-M</b>	index: <b>004</b>	documenttype: marketing drw.
	created by: rkumar	reviewed by: smeier	projection:ISO-E 
title: <b>Multiline Seal in          Sump unit V150S DN160 0 with galv. steel rail          Einlaufkasten V150S DN160 0 mit verzinkter Stahlzarge</b>			<b>serial-released</b>
<small>The reproduction, distribution and utilization of this document as well as the communication of its contents to others without express authorization is prohibited. Offenders will be held liable for the payment of damages. All rights reserved in the event of the grant of a patent, utility model or design. Observe copyright by ISO 16016</small>			release date: <b>07.02.2023</b>
			sheet: <b>1/1</b>

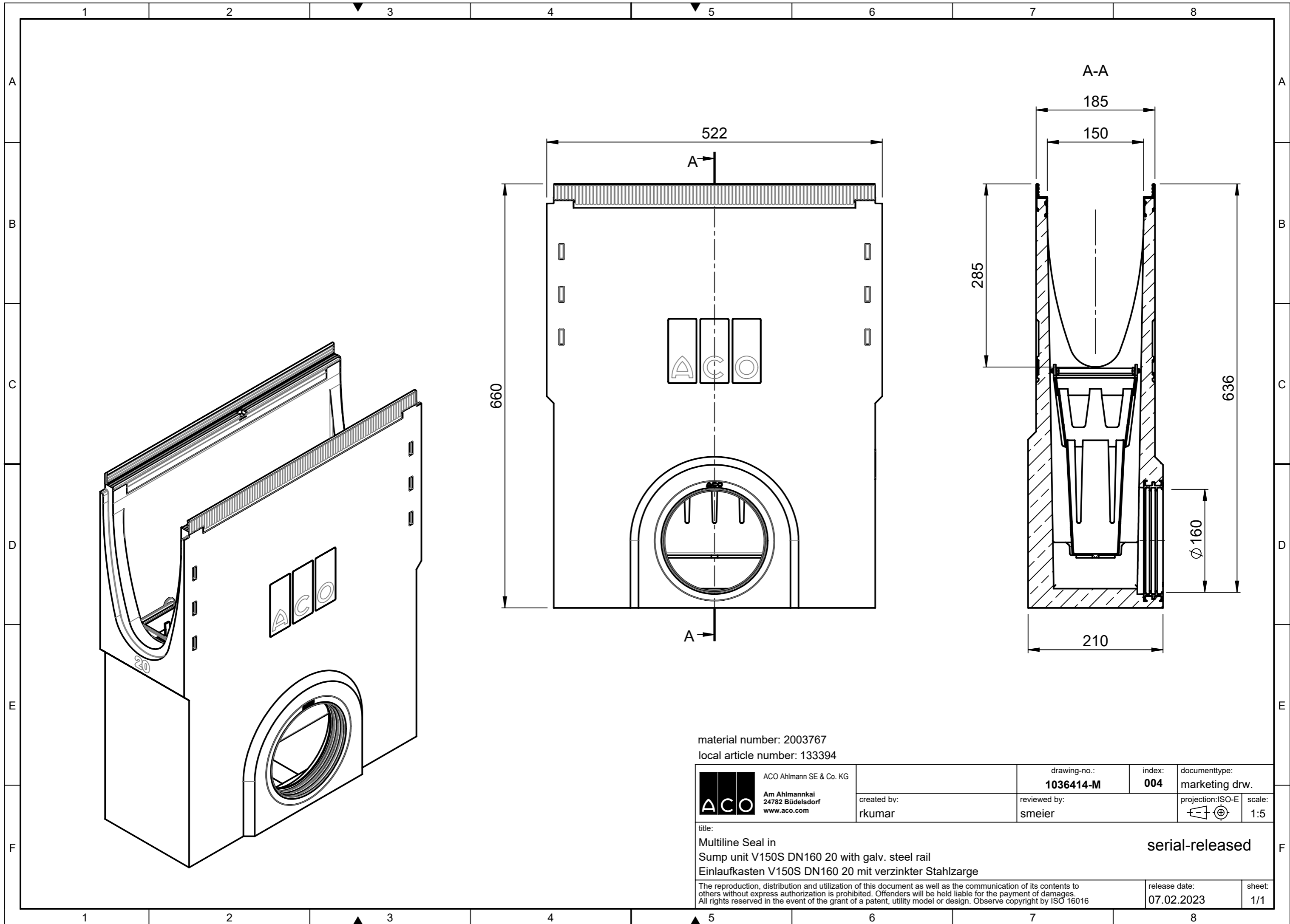


material number: 2003765  
 local article number: 133392


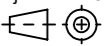
 ACO Ahlmann SE & Co. KG Am Ahlmannkai 24782 Büdelsdorf www.aco.com	created by:	drawing-no.:	index:	documenttype:
	rkumar	1036415-M	004	marketing drw.
title:		reviewed by:	projection:ISO-E	scale:
Multiline Seal in Sump unit V150S DN160 5 with galv. steel rail Einlaufkasten V150S DN160 5 mit verzinkter Stahlzarge		smeier		1:5
The reproduction, distribution and utilization of this document as well as the communication of its contents to others without express authorization is prohibited. Offenders will be held liable for the payment of damages. All rights reserved in the event of the grant of a patent, utility model or design. Observe copyright by ISO 16016			release date:	sheet:
			07.02.2023	1/1

serial-released

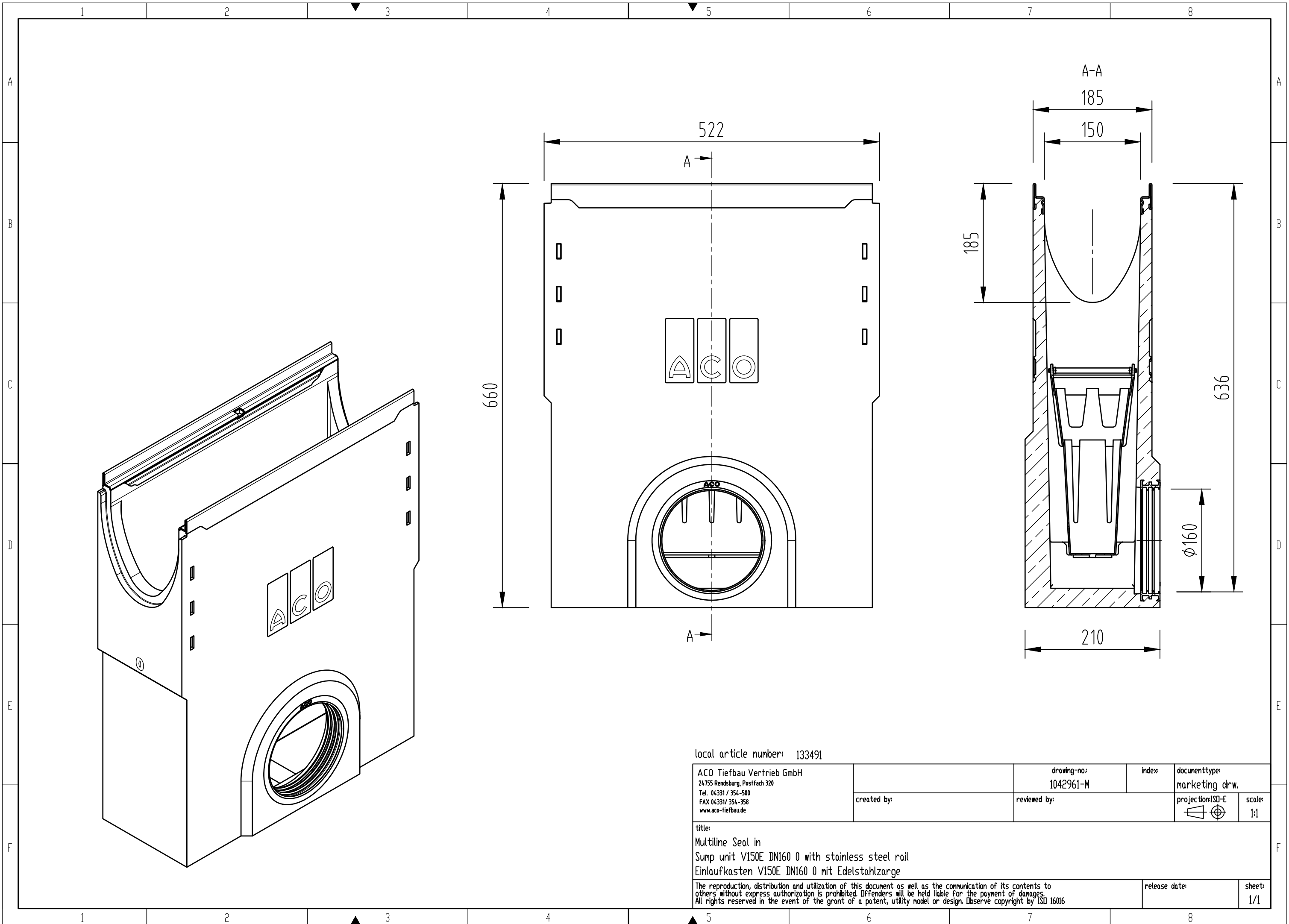





material number: 2003767  
 local article number: 133394

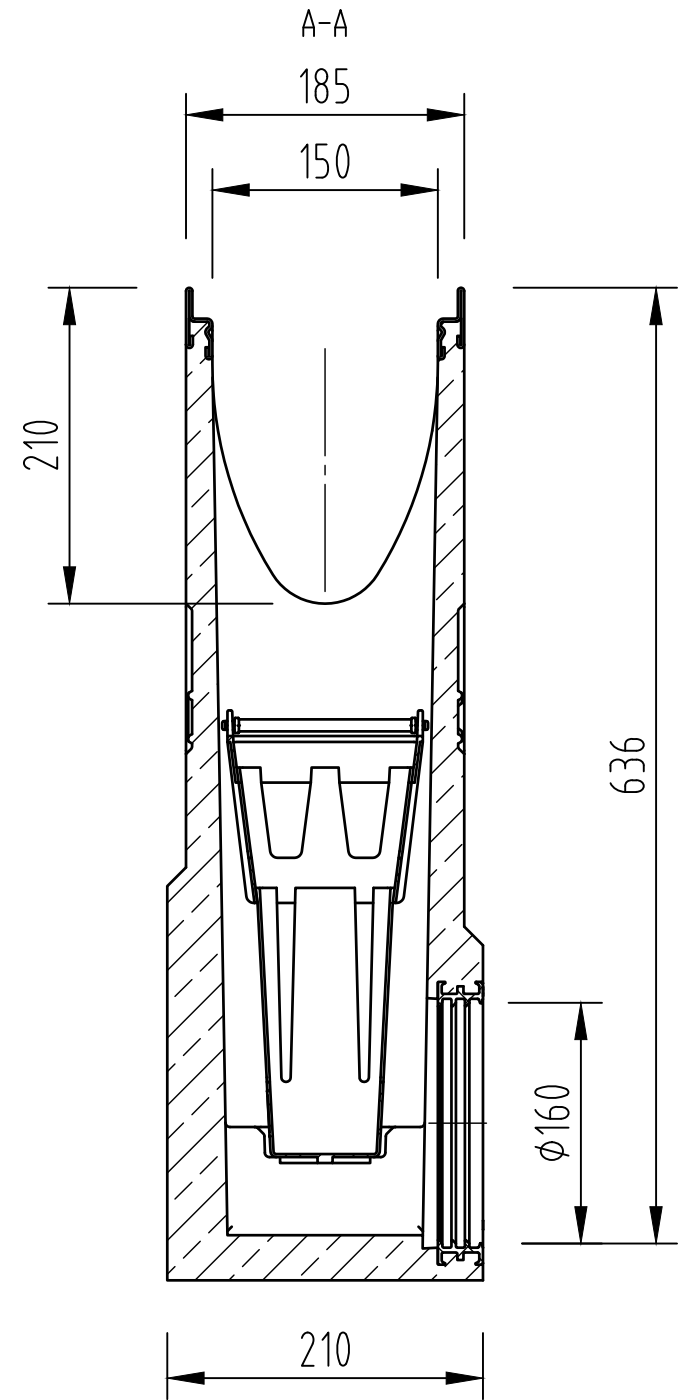
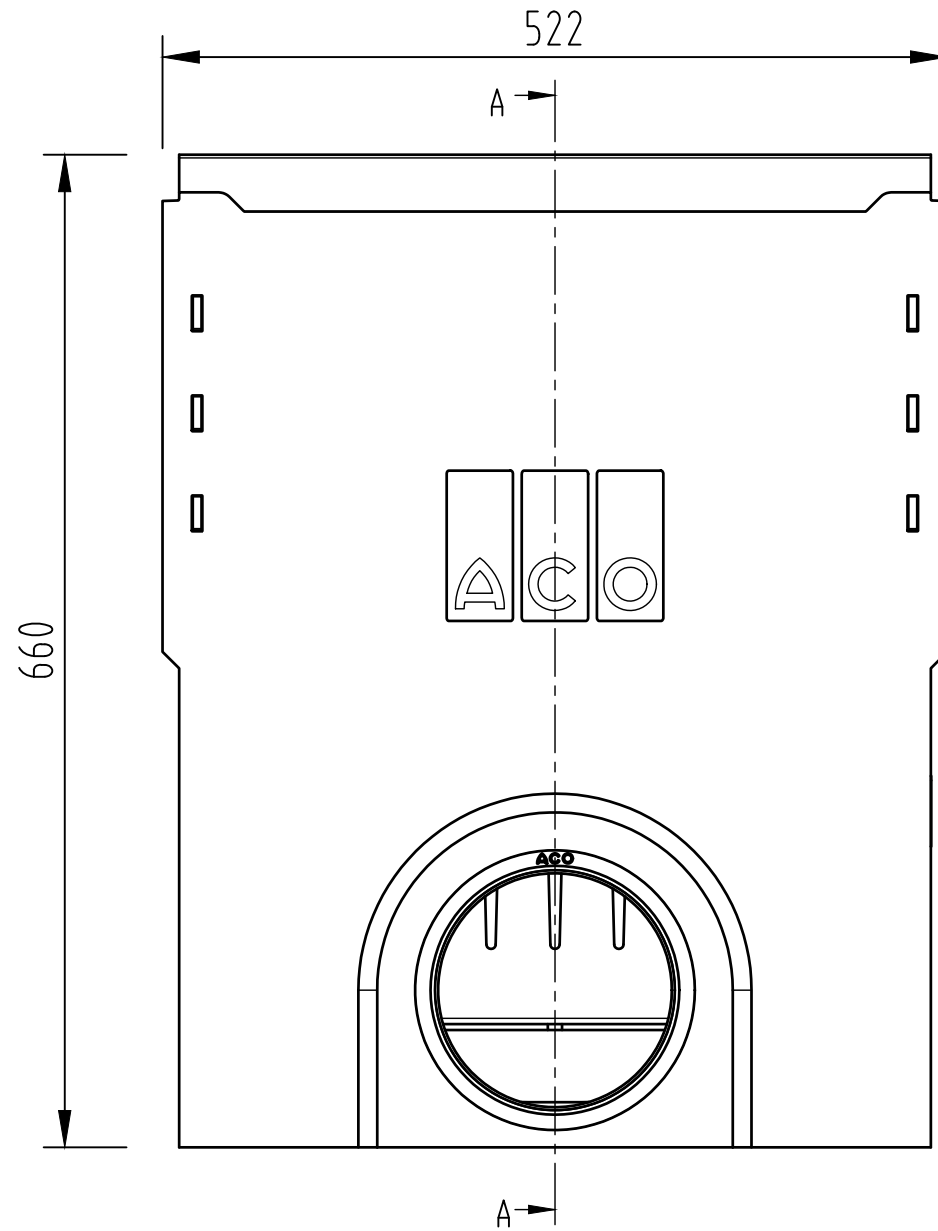
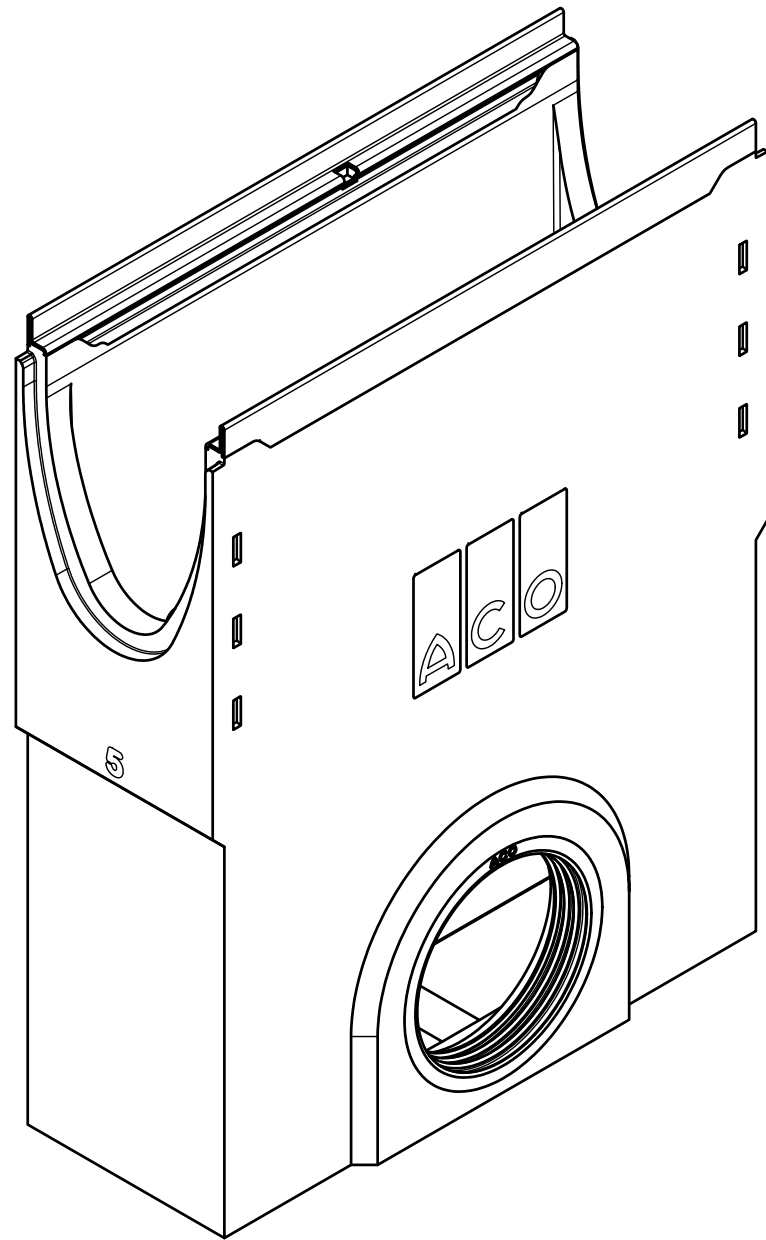
 ACO Ahlmann SE & Co. KG Am Ahlmannkai 24782 Büdelsdorf www.aco.com	created by:	drawing-no.:	index:	documenttype:
	rkumar	1036414-M	004	marketing drw.
title:		reviewed by:	projection:ISO-E	scale:
Multiline Seal in Sump unit V150S DN160 20 with galv. steel rail Einlaufkasten V150S DN160 20 mit verzinkter Stahlzarge		smeier		1:5
The reproduction, distribution and utilization of this document as well as the communication of its contents to others without express authorization is prohibited. Offenders will be held liable for the payment of damages. All rights reserved in the event of the grant of a patent, utility model or design. Observe copyright by ISO 16016			release date:	sheet:
			07.02.2023	1/1

serial-released

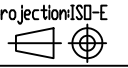


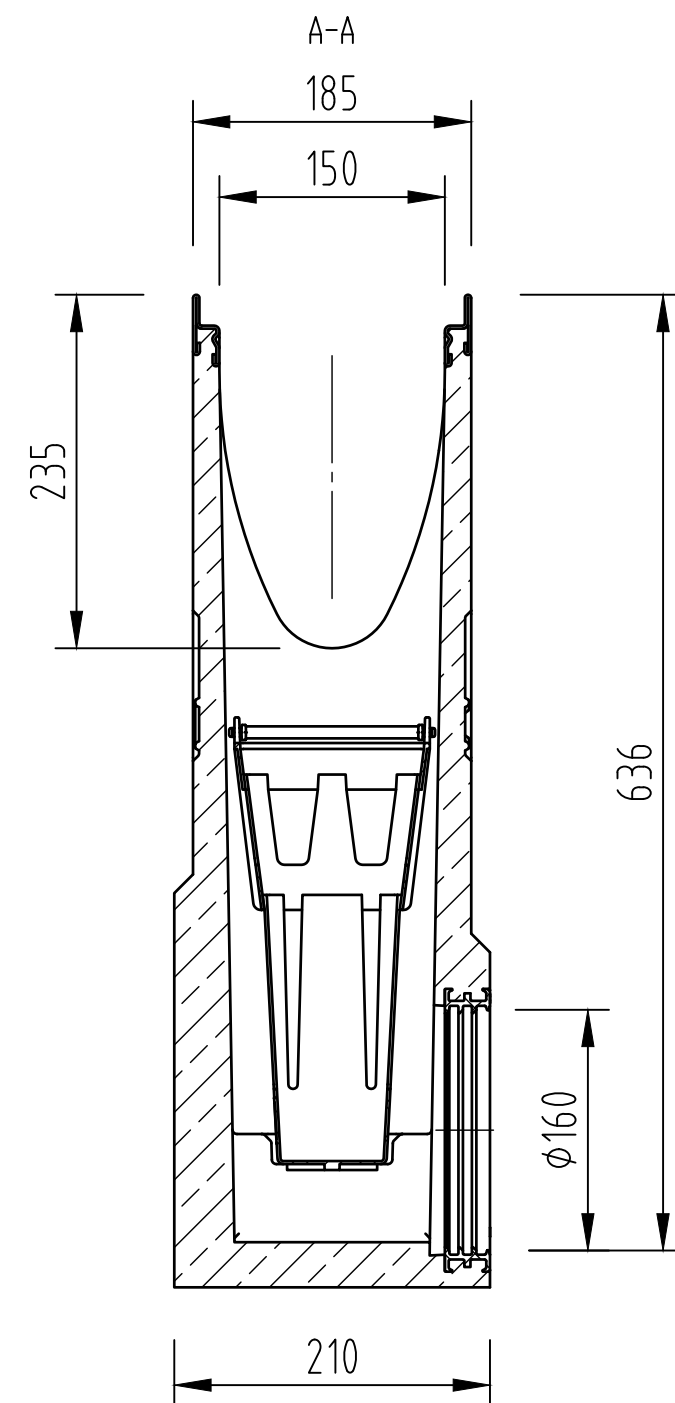
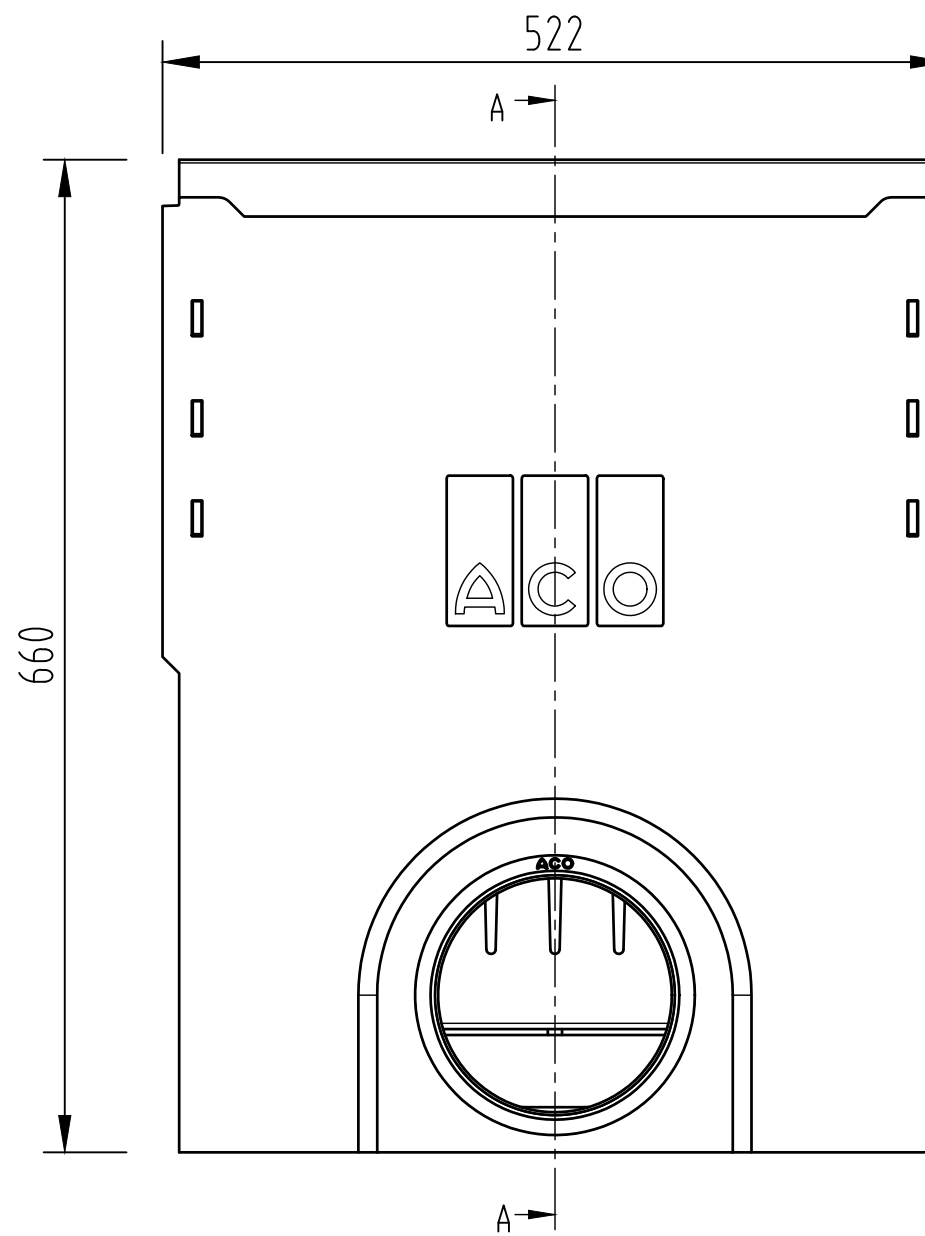
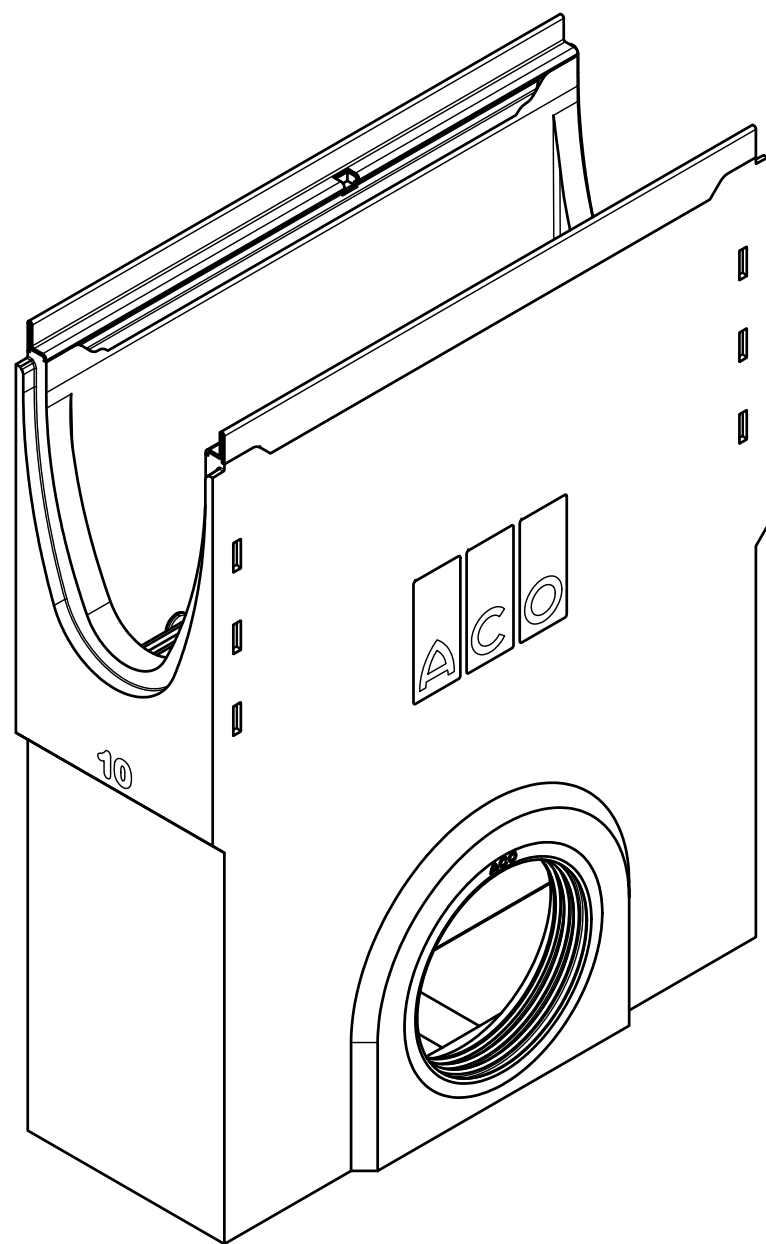
local article number: 133491

ACO Tiefbau Vertrieb GmbH 24755 Rendsburg, Postfach 320 Tel. 04331 / 354-500 FAX 04331/ 354-358 www.aco-tiefbau.de	drawing-no: 1042961-M	index:	documenttype: marketing drw.
	created by:	reviewed by:	projection:ISO-E 
title: Multiline Seal in Sump unit V150E DN160 0 with stainless steel rail Einlaufkasten V150E DN160 0 mit Edelstahlzarge			scale: 1:1
The reproduction, distribution and utilization of this document as well as the communication of its contents to others without express authorization is prohibited. Offenders will be held liable for the payment of damages. All rights reserved in the event of the grant of a patent, utility model or design. Observe copyright by ISO 16016			release date: sheet: 1/1

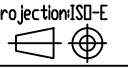


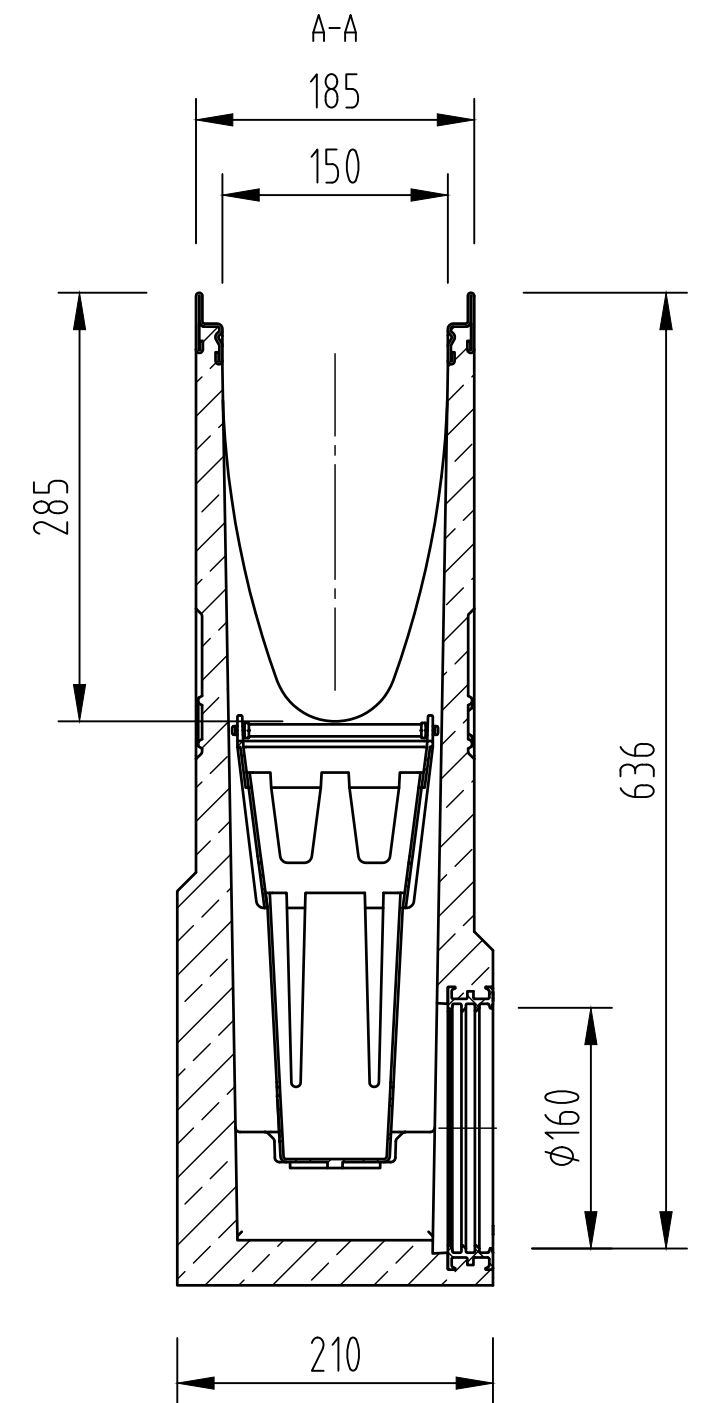
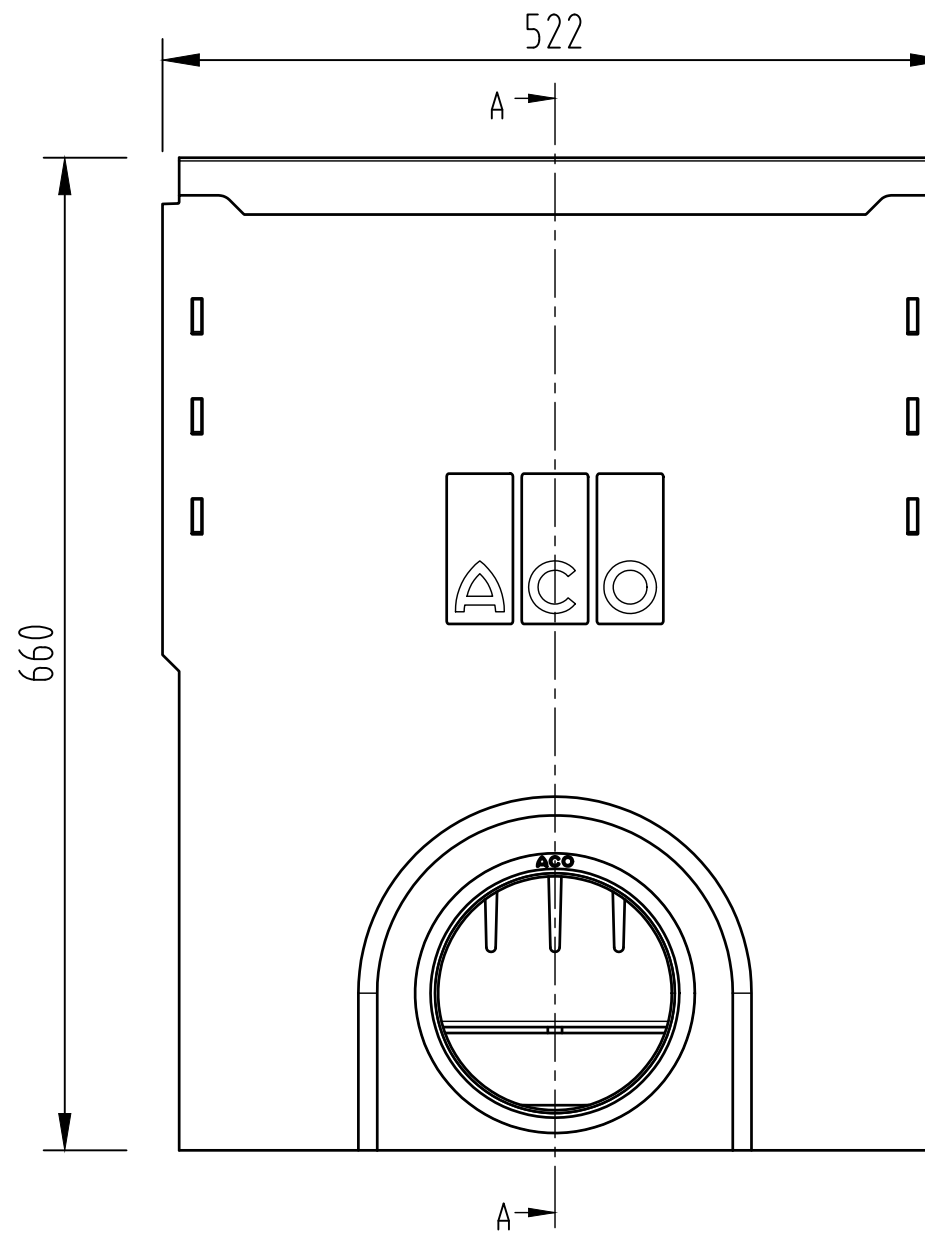
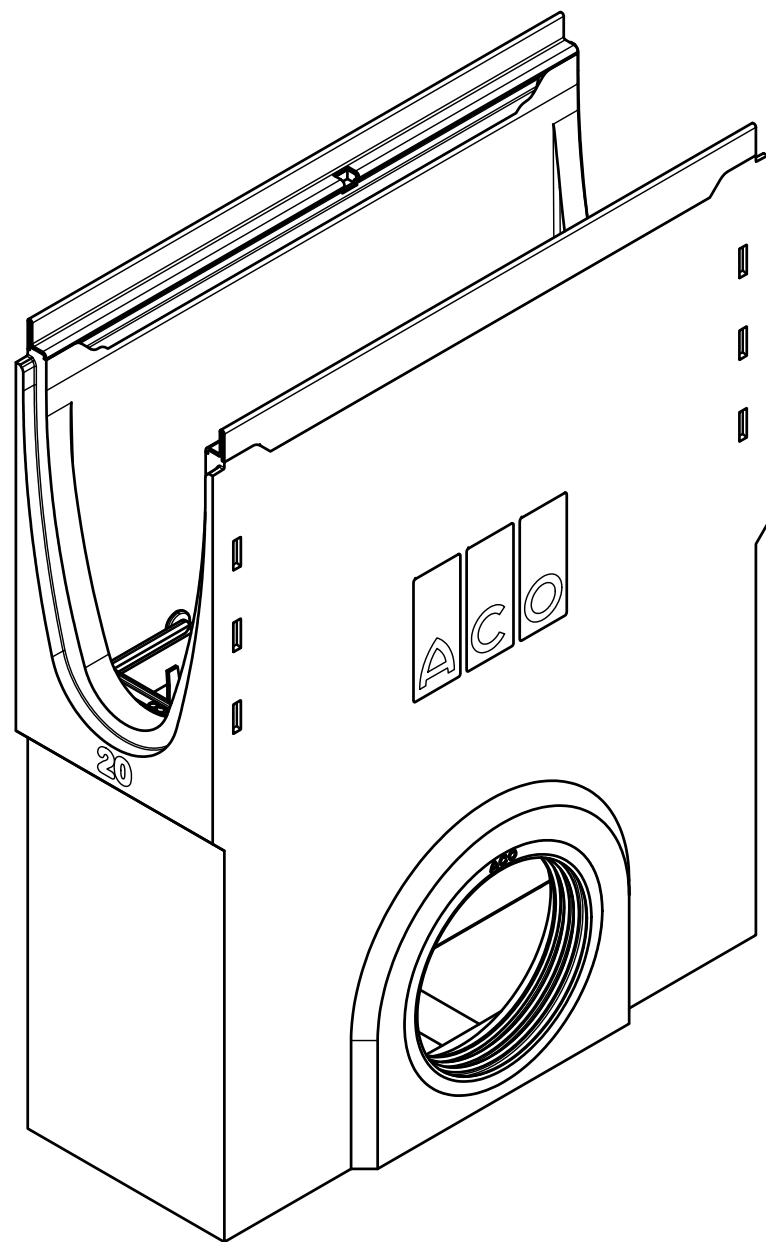
local article number: 133492

ACO Tiefbau Vertrieb GmbH 24755 Rendsburg, Postfach 320 Tel. 04331 / 354-500 FAX 04331/ 354-358 www.aco-tiefbau.de	drawing-no: 1042962-M	index:	documenttype: marketing drw.
	created by:	reviewed by:	projection:ISO-E 
title: Multiline Seal in Sump unit V150E DN160 5 with stainless steel rail Einlaufkasten V150E DN160 5 mit Edelstahlzarge			scale: 1:1
The reproduction, distribution and utilization of this document as well as the communication of its contents to others without express authorization is prohibited. Offenders will be held liable for the payment of damages. All rights reserved in the event of the grant of a patent, utility model or design. Observe copyright by ISO 16016			release date: sheet: 1/1

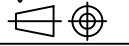


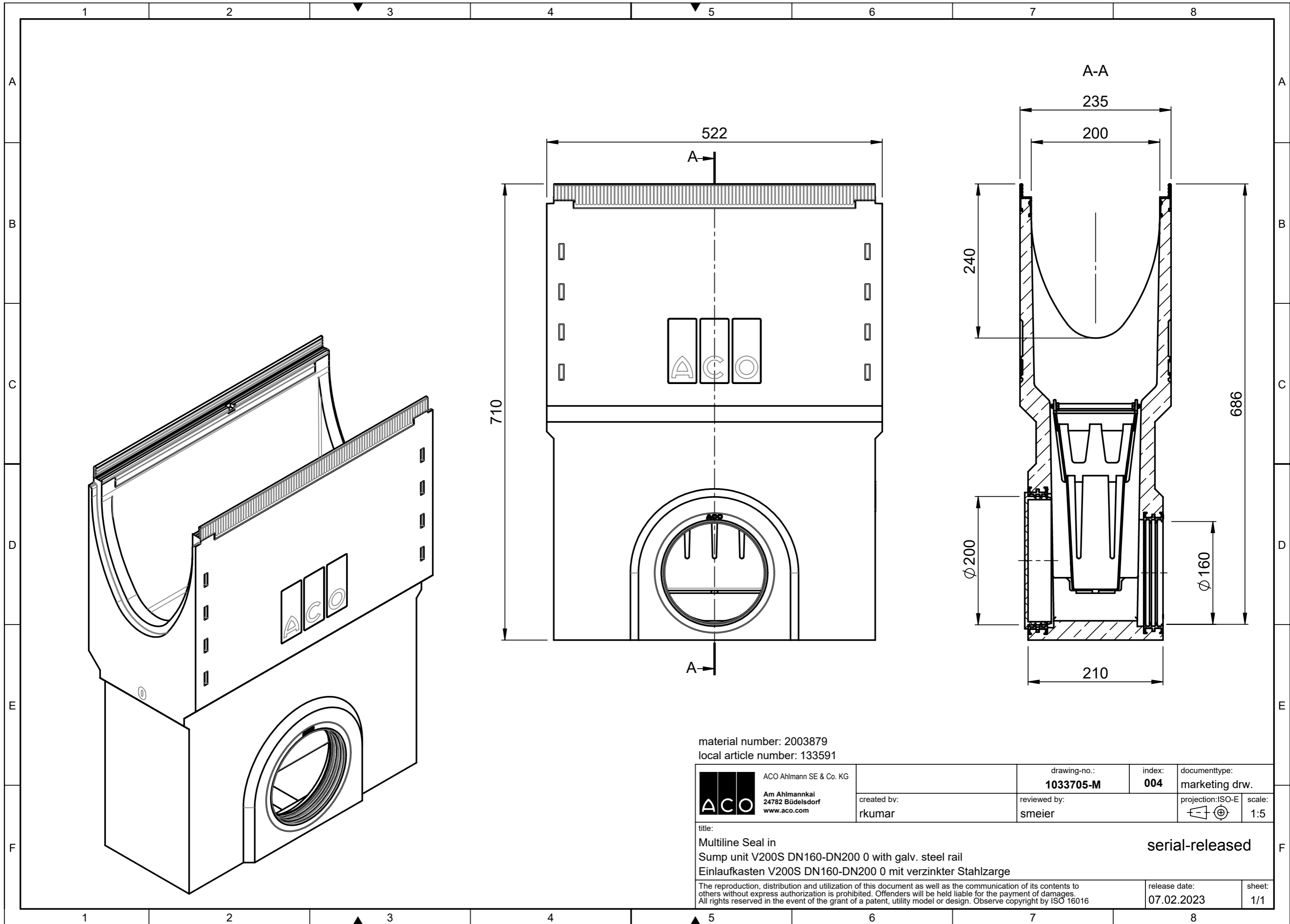
local article number: 133493

ACO Tiefbau Vertrieb GmbH 24755 Rendsburg, Postfach 320 Tel. 04331 / 354-500 FAX 04331/ 354-358 www.aco-tiefbau.de	drawing-no: 1042963-M	index:	documenttype: marketing drw.
	created by:	reviewed by:	projection:ISO-E 
title: Multiline Seal in Sump unit V150E DN160 10 with stainless steel rail Einlaufkasten V150E DN160 10 mit Edelstahlzarge			scale: 1:1
The reproduction, distribution and utilization of this document as well as the communication of its contents to others without express authorization is prohibited. Offenders will be held liable for the payment of damages. All rights reserved in the event of the grant of a patent, utility model or design. Observe copyright by ISO 16016			release date: sheet: 1/1



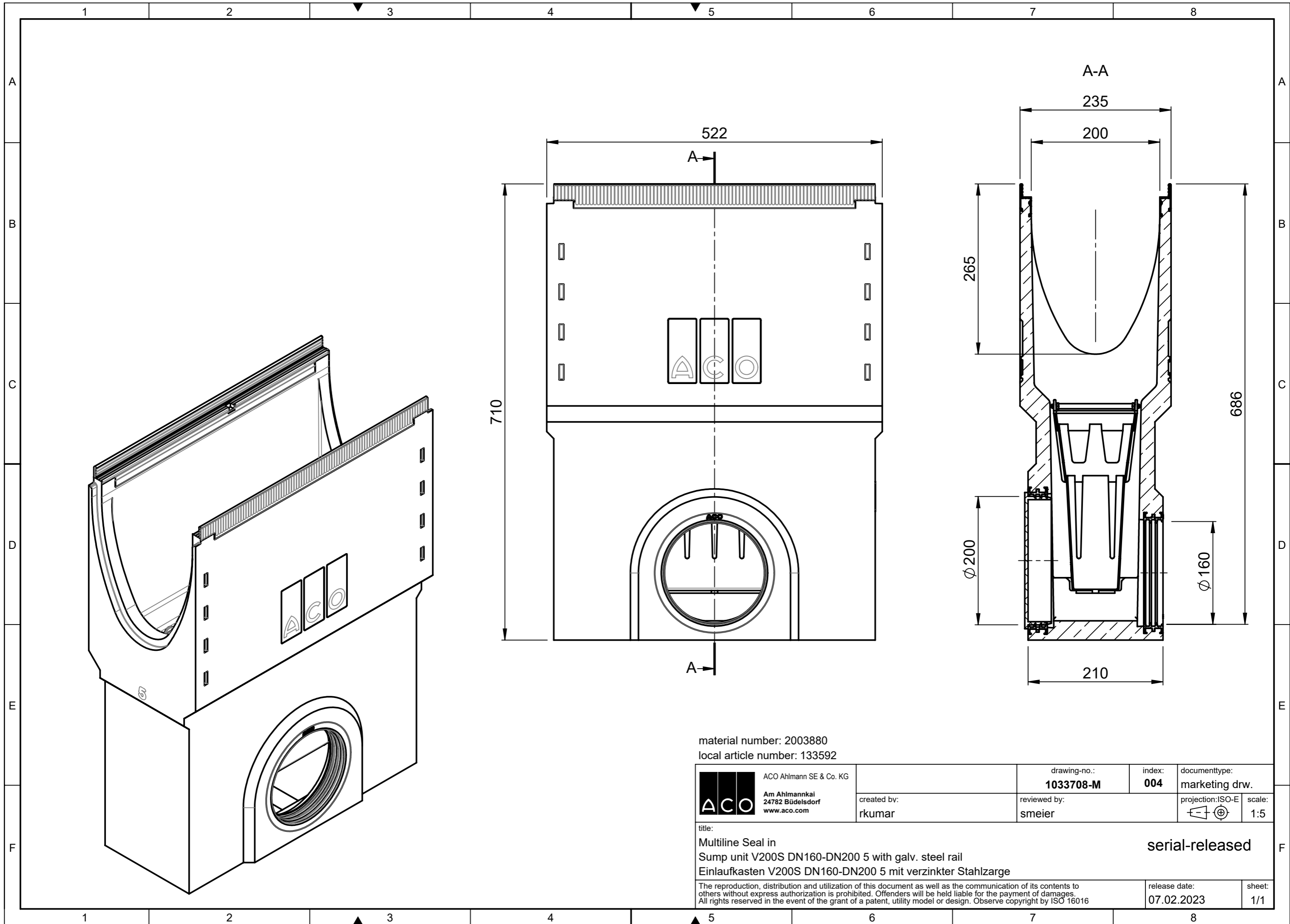
local article number: 133494

ACO Tiefbau Vertrieb GmbH 24755 Rendsburg, Postfach 320 Tel. 04331 / 354-500 FAX 04331/ 354-358 www.aco-tiefbau.de	drawing-no: 1042964-M	index:	documenttype: marketing drw.
	created by:	reviewed by:	projection:ISO-E  scale: 1:1
title: Multiline Seal in Sump unit V150E DN160 20 with stainless steel rail Einlaufkasten V150E DN160 20 mit Edelstahlzarge			release date:
The reproduction, distribution and utilization of this document as well as the communication of its contents to others without express authorization is prohibited. Offenders will be held liable for the payment of damages. All rights reserved in the event of the grant of a patent, utility model or design. Observe copyright by ISO 16016			sheet: 1/1


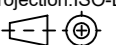


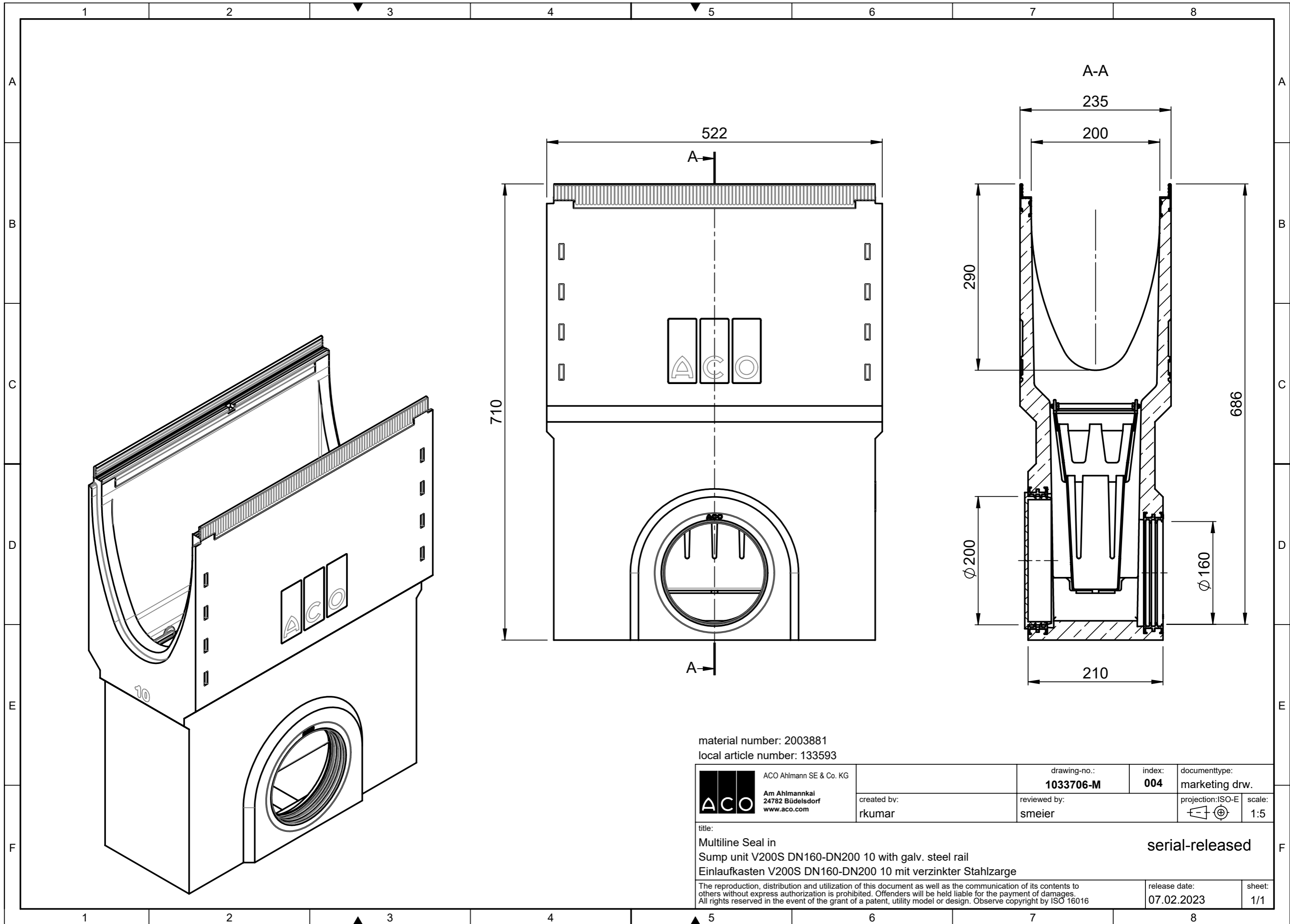
material number: 2003879  
 local article number: 133591

 ACO Ahlmann SE & Co. KG Am Ahlmannkai 24782 Büdelsdorf www.aco.com	drawing-no.: <b>1033705-M</b>	index: <b>004</b>	documenttype: marketing drw.
	created by: rkumar	reviewed by: smeier	projection: ISO-E 
title: <b>Multiline Seal in          Sump unit V200S DN160-DN200 0 with galv. steel rail          Einlaufkasten V200S DN160-DN200 0 mit verzinkter Stahlzarge</b>			<b>serial-released</b>
<small>The reproduction, distribution and utilization of this document as well as the communication of its contents to others without express authorization is prohibited. Offenders will be held liable for the payment of damages. All rights reserved in the event of the grant of a patent, utility model or design. Observe copyright by ISO 16016</small>			release date: <b>07.02.2023</b>
			sheet: <b>1/1</b>


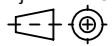


material number: 2003880  
 local article number: 133592

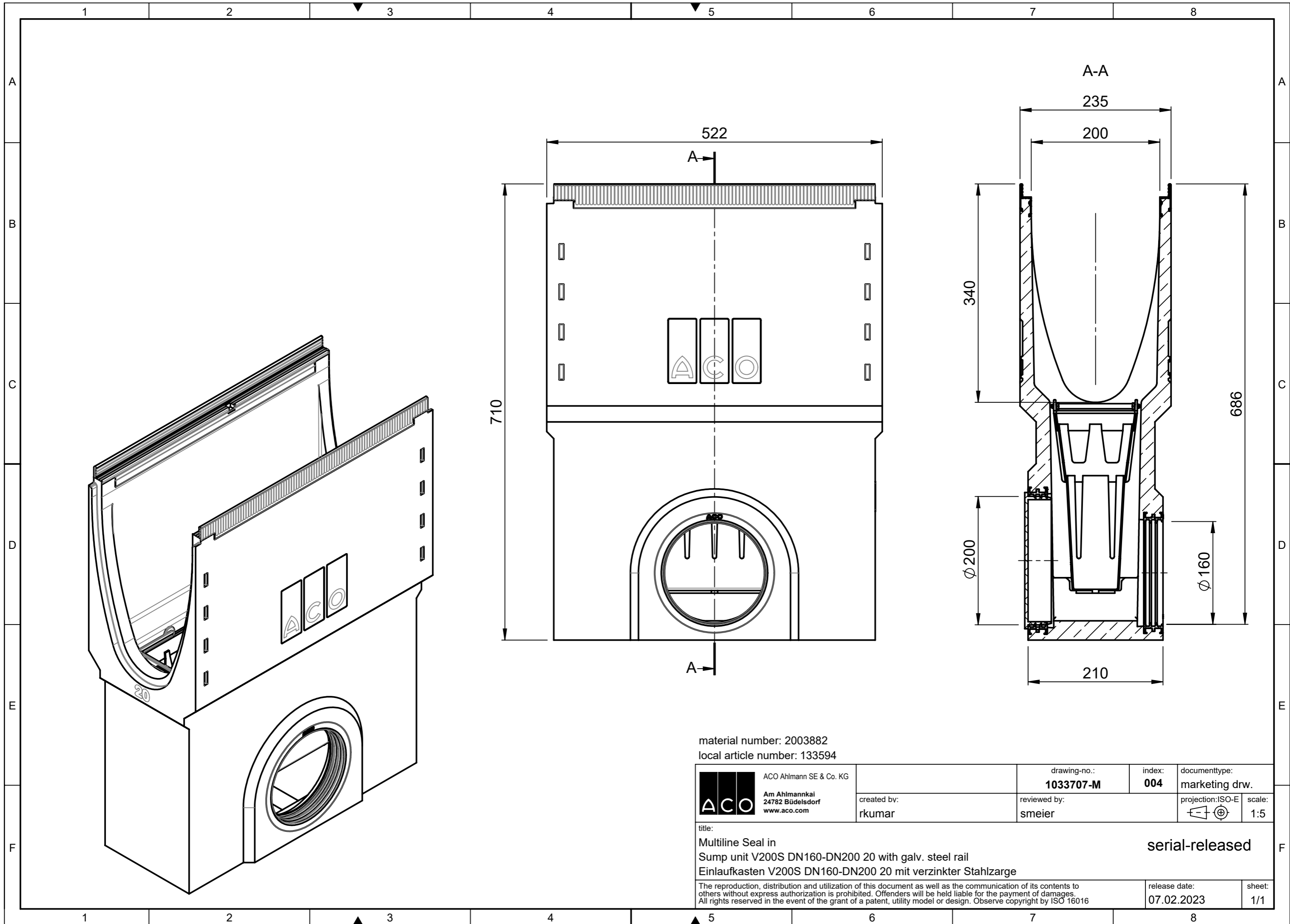
 ACO Ahlmann SE & Co. KG Am Ahlmannkai 24782 Büdelsdorf www.aco.com	created by: rkumar	drawing-no.: <b>1033708-M</b>	index: <b>004</b>	documenttype: marketing drw.
	reviewed by: smeier	projection: ISO-E 	scale: 1:5	
title: <b>Multiline Seal in</b> <b>Sump unit V200S DN160-DN200 5 with galv. steel rail</b> <b>Einlaufkasten V200S DN160-DN200 5 mit verzinkter Stahlzarge</b>				<b>serial-released</b>
The reproduction, distribution and utilization of this document as well as the communication of its contents to others without express authorization is prohibited. Offenders will be held liable for the payment of damages. All rights reserved in the event of the grant of a patent, utility model or design. Observe copyright by ISO 16016			release date: 07.02.2023	sheet: 1/1



material number: 2003881  
 local article number: 133593

 ACO Ahlmann SE & Co. KG Am Ahlmannkai 24782 Büdelsdorf www.aco.com	created by: rkumar	drawing-no.: <b>1033706-M</b>	index: <b>004</b>	documenttype: marketing drw.
	reviewed by: smeier	projection: ISO-E 	scale: 1:5	
title: <b>Multiline Seal in          Sump unit V200S DN160-DN200 10 with galv. steel rail          Einlaufkasten V200S DN160-DN200 10 mit verzinkter Stahlzarge</b>				serial-released release date: <b>07.02.2023</b>
The reproduction, distribution and utilization of this document as well as the communication of its contents to others without express authorization is prohibited. Offenders will be held liable for the payment of damages. All rights reserved in the event of the grant of a patent, utility model or design. Observe copyright by ISO 16016				sheet: <b>1/1</b>

S:\projekte\2014\1033706-M\1033706-M.dwg - Version 1.6



material number: 2003882  
 local article number: 133594

 ACO Ahlmann SE & Co. KG Am Ahlmannkai 24782 Büdelsdorf www.aco.com	created by: rkumar	drawing-no.: <b>1033707-M</b>	index: <b>004</b>	documenttype: marketing drw.
	reviewed by: smeier	projection: ISO-E 	scale: 1:5	
title: <b>Multiline Seal in</b> <b>Sump unit V200S DN160-DN200 20 with galv. steel rail</b> <b>Einlaufkasten V200S DN160-DN200 20 mit verzinkter Stahlzarge</b>				<b>serial-released</b>
The reproduction, distribution and utilization of this document as well as the communication of its contents to others without express authorization is prohibited. Offenders will be held liable for the payment of damages. All rights reserved in the event of the grant of a patent, utility model or design. Observe copyright by ISO 16016			release date: 07.02.2023	sheet: 1/1

1 2 3 4 5 6 7 8

A

B

C

D

E

F

A

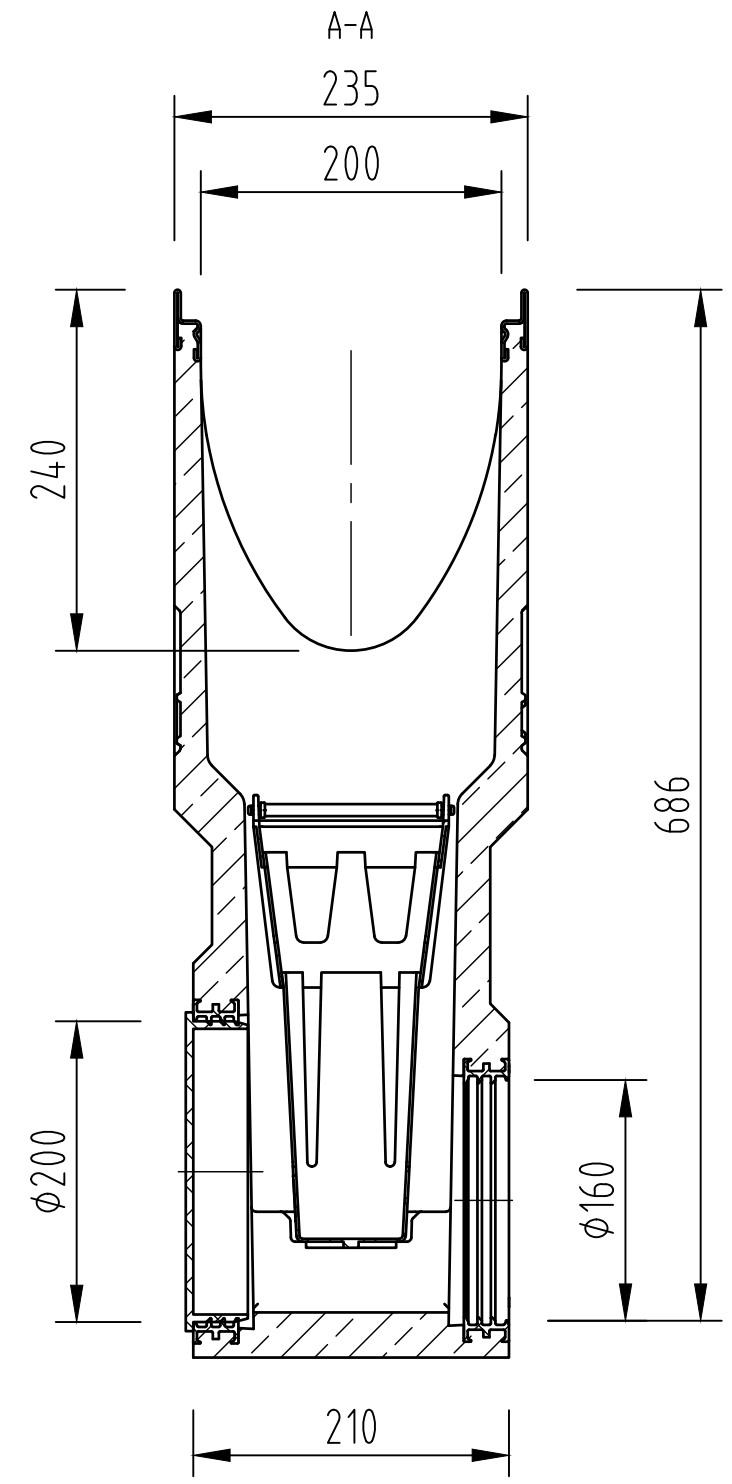
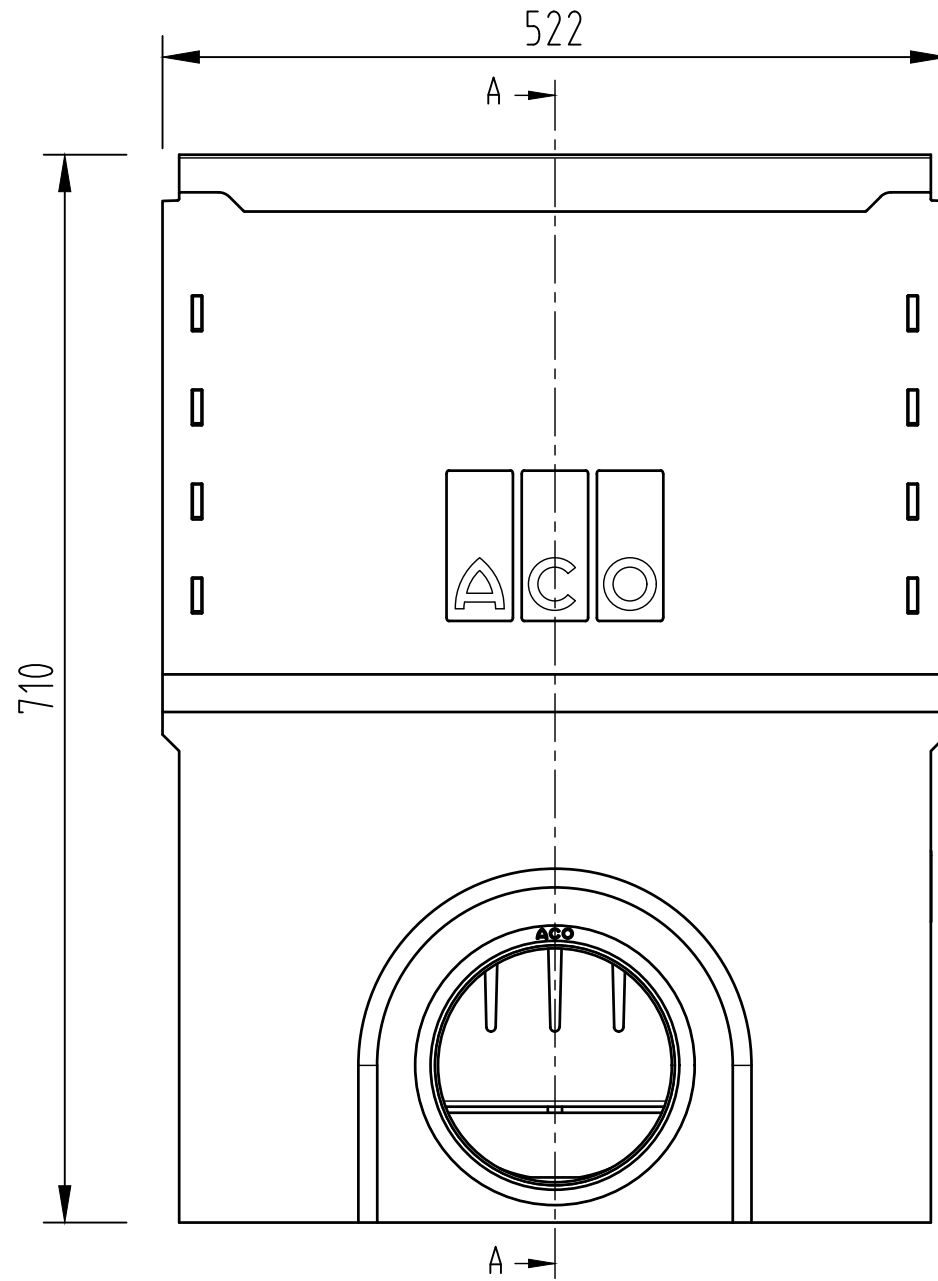
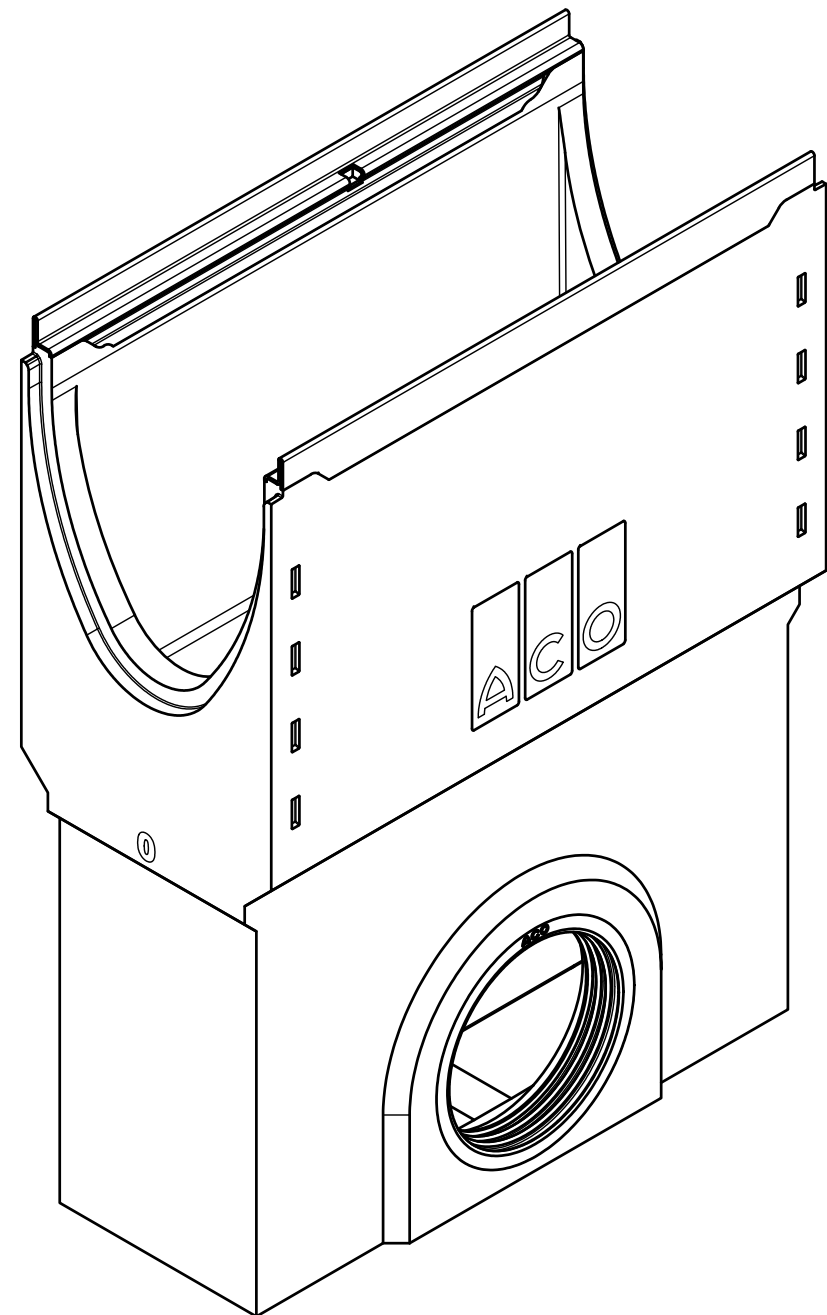
B

C

D

E

F



local article number: 133791

ACO Tiefbau Vertrieb GmbH 24755 Rendsburg, Postfach 320 Tel. 04331 / 354-500 FAX 04331/ 354-358 www.aco-tiefbau.de	drawing-no: 1042746-M	index:	documenttype: marketing drw.
	created by:	reviewed by:	projection:ISO-E scale: 1:1
title: Multiline Seal in Sump unit V200E DN160-DN200 0 with stainless steel rail Einlaufkasten V200E DN160-DN200 0 mit Edelstahlzarge			release date:
The reproduction, distribution and utilization of this document as well as the communication of its contents to others without express authorization is prohibited. Offenders will be held liable for the payment of damages. All rights reserved in the event of the grant of a patent, utility model or design. Observe copyright by ISO 16016			sheet: 1/1

1 2 3 4 5 6 7 8

1 2 3 4 5 6 7 8

A

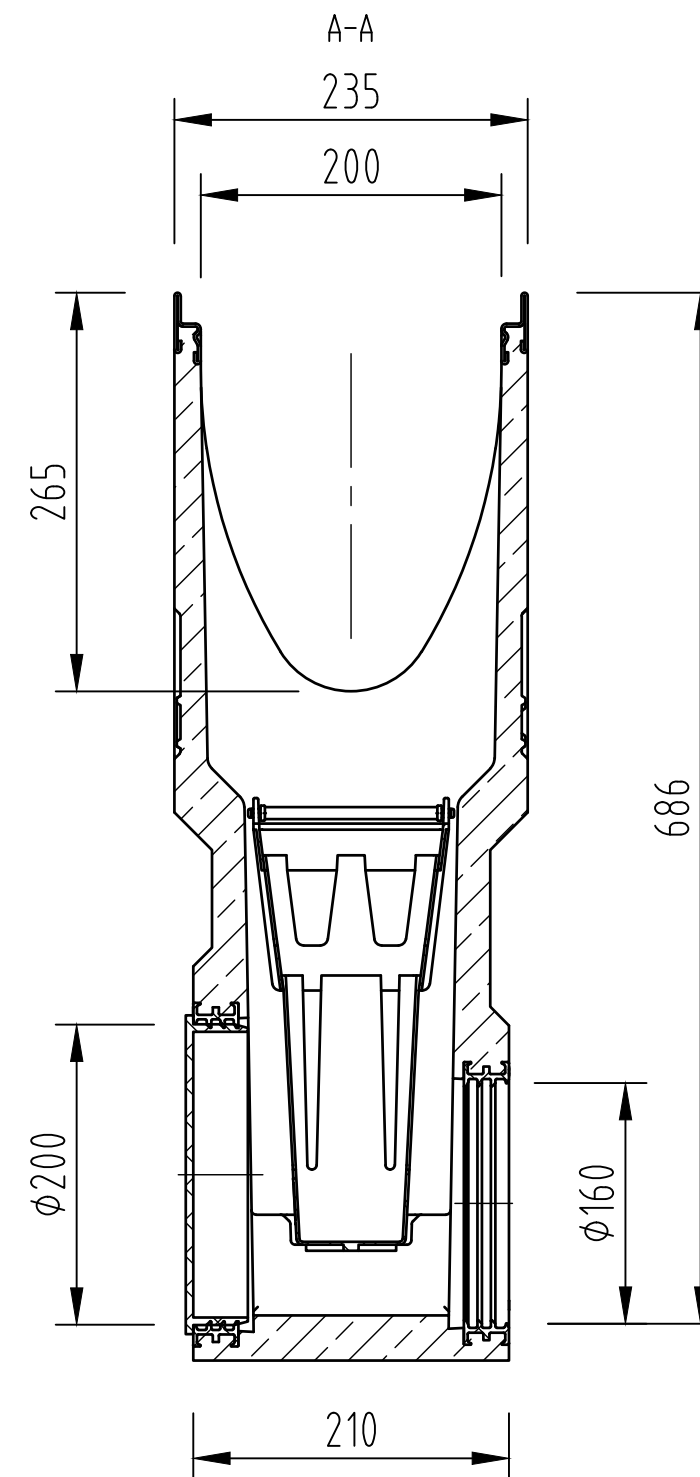
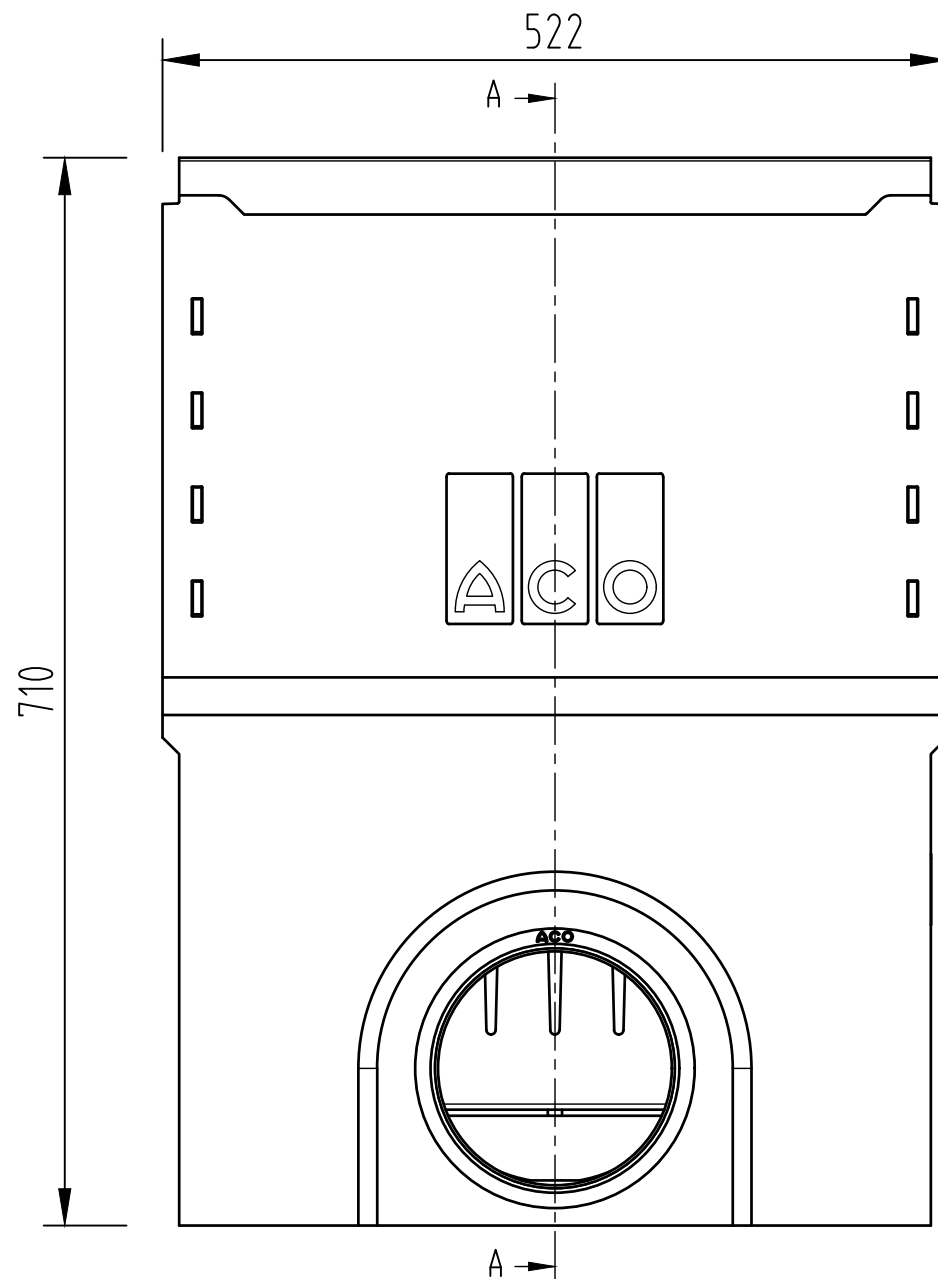
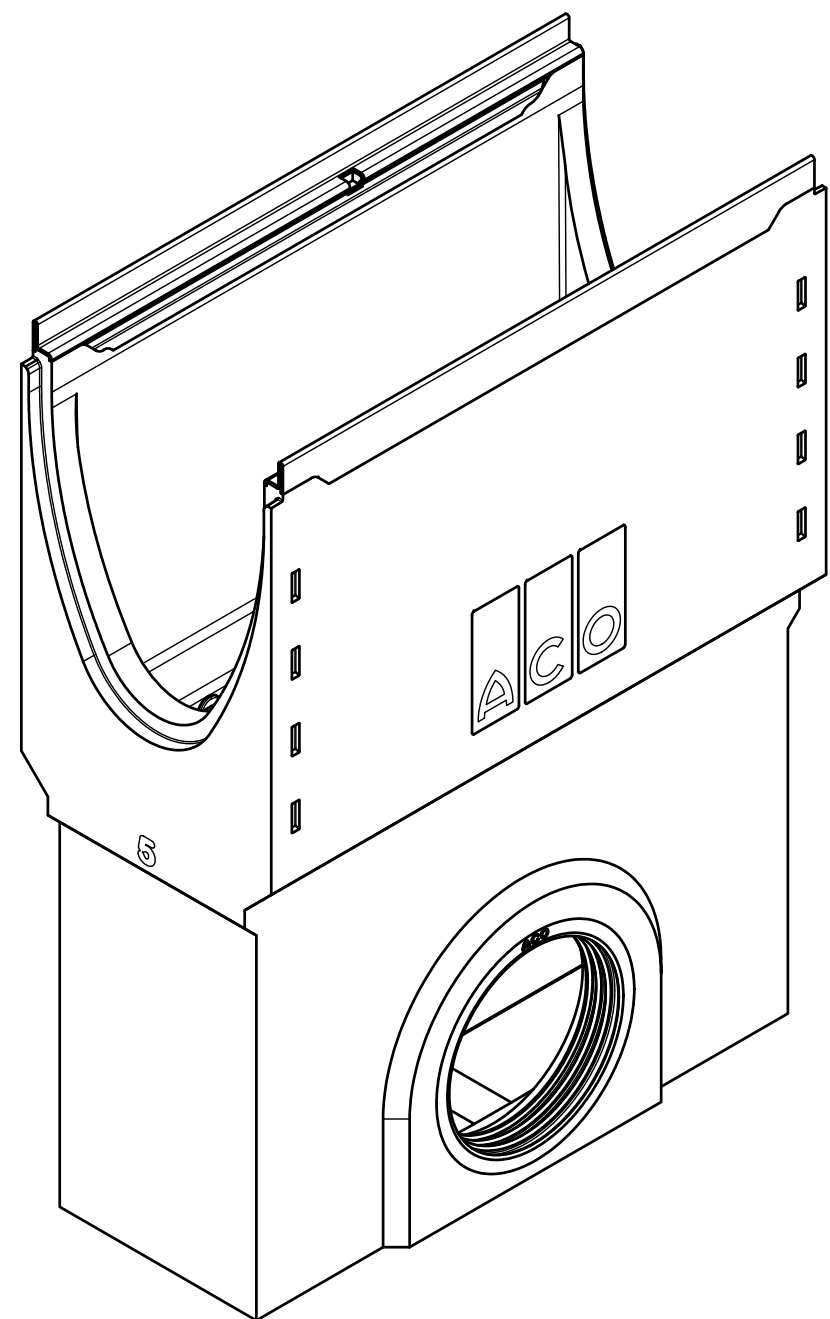
B

C

D

E

F



local article number: 133792

ACO Tiefbau Vertrieb GmbH 24755 Rendsburg, Postfach 320 Tel. 04331 / 354-500 FAX 04331/ 354-358 www.aco-tiefbau.de	drawing-no: 1042747-M	index:	documenttype: marketing drw.
	created by:	reviewed by:	projection:ISO-E scale: 1:1
title: Multiline Seal in Sump unit V200E DN160-DN200 5 with stainless steel rail Einlaufkasten V200E DN160-DN200 5 mit Edelstahlzarge			release date:
The reproduction, distribution and utilization of this document as well as the communication of its contents to others without express authorization is prohibited. Offenders will be held liable for the payment of damages. All rights reserved in the event of the grant of a patent, utility model or design. Observe copyright by ISO 16016			sheet: 1/1

1 2 3 4 5 6 7 8

1 2 3 4 5 6 7 8

A

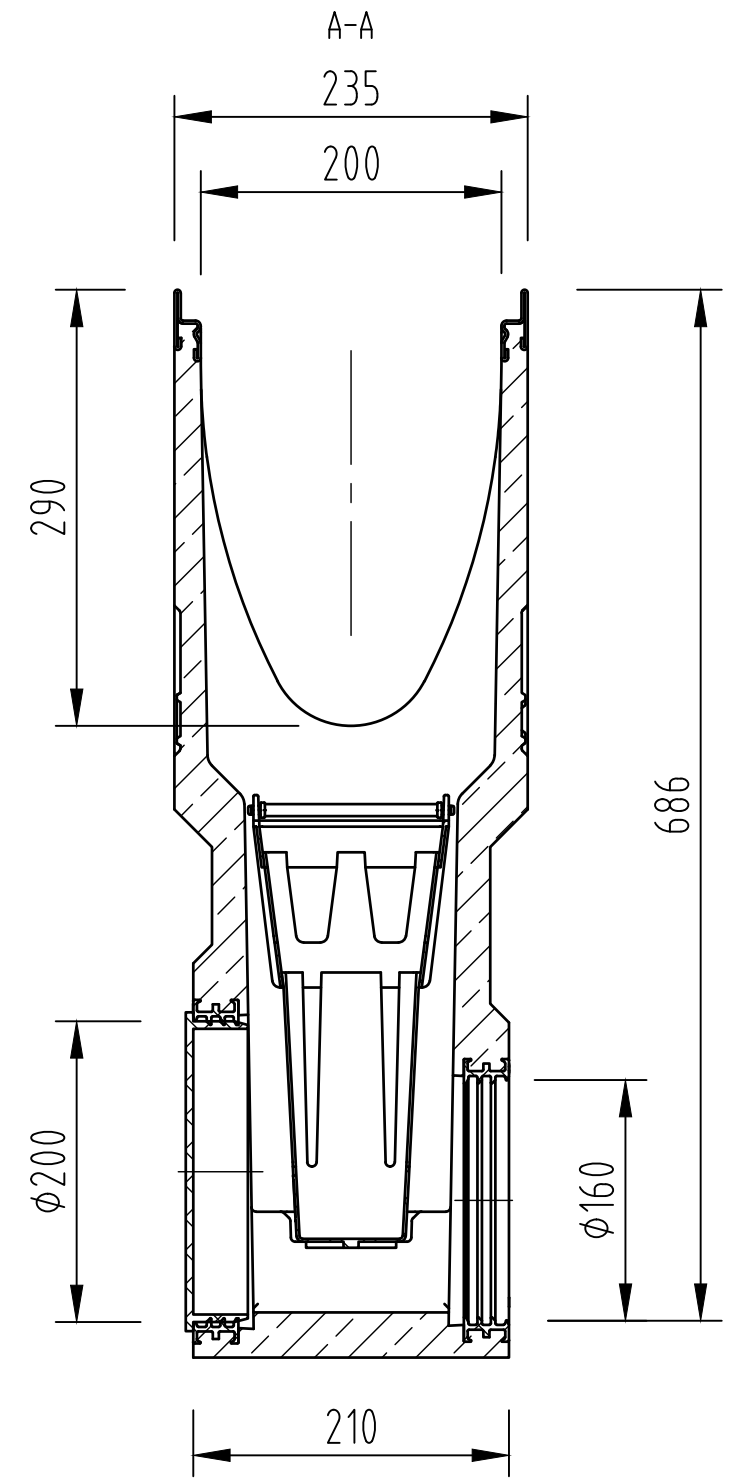
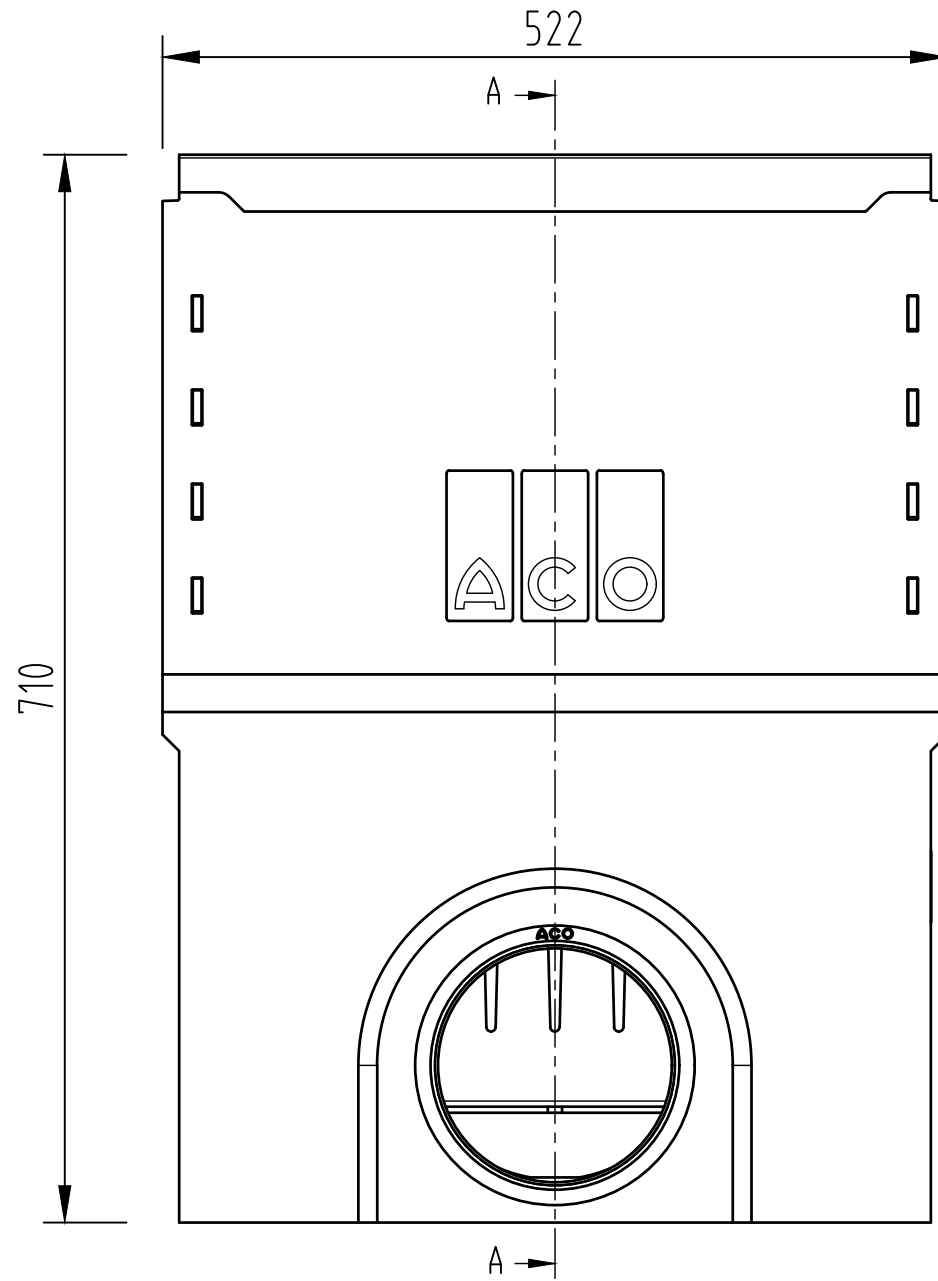
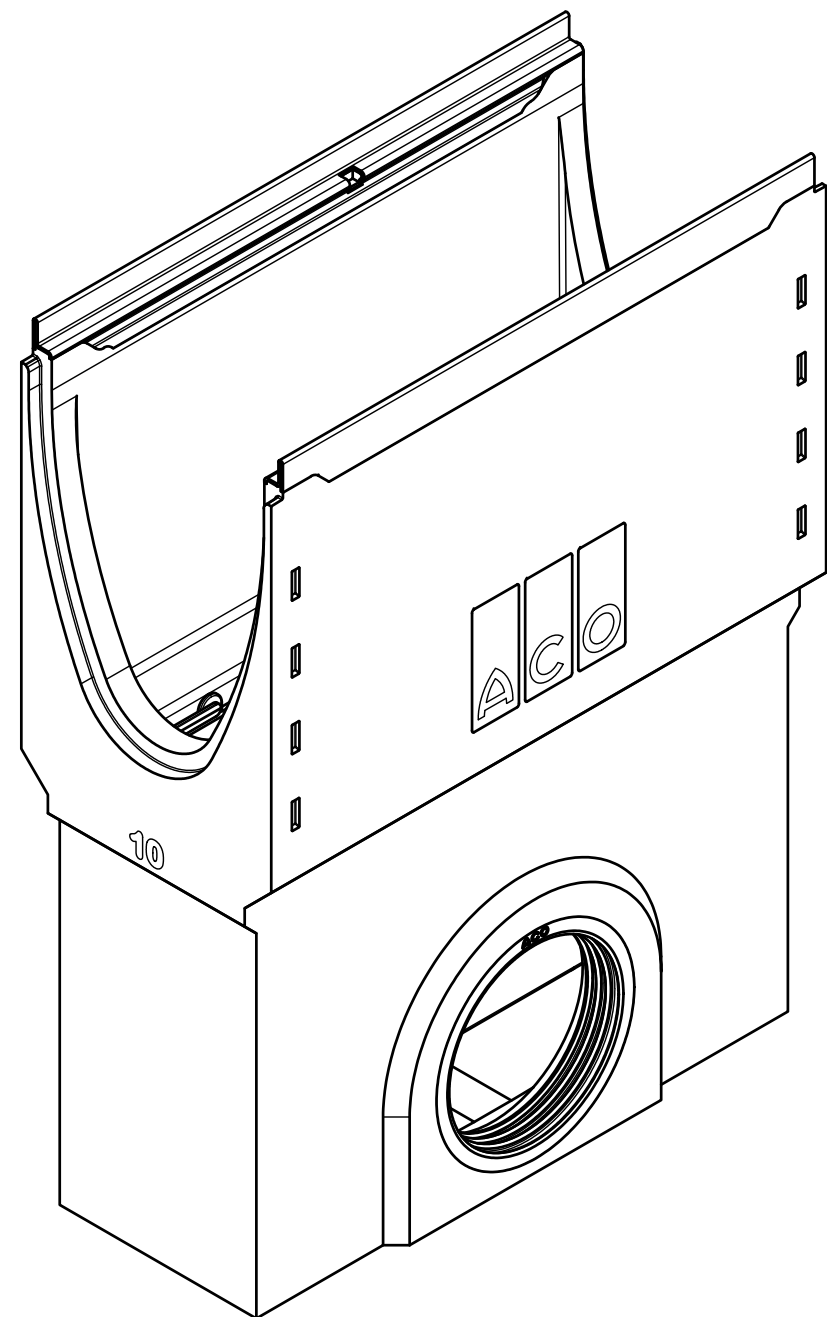
B

C

D

E

F



local article number: 133793

ACO Tiefbau Vertrieb GmbH 24755 Rendsburg, Postfach 320 Tel. 04331 / 354-500 FAX 04331/ 354-358 www.aco-tiefbau.de	drawing-no:	index:	documenttype:
	1042748-M		marketing drw.
created by:	reviewed by:	projection:ISO-E	scale:
title: Multiline Seal in Sump unit V200E DN160-DN200 10 with stainless steel rail Einlaufkasten V200E DN160-DN200 10 mit Edelstahlzarge			1:1
The reproduction, distribution and utilization of this document as well as the communication of its contents to others without express authorization is prohibited. Offenders will be held liable for the payment of damages. All rights reserved in the event of the grant of a patent, utility model or design. Disserve copyright by ISO 16016			release date:
			sheet:
			1/1

1 2 3 4 5 6 7 8

1 2 3 4 5 6 7 8

A

B

C

D

E

F

A

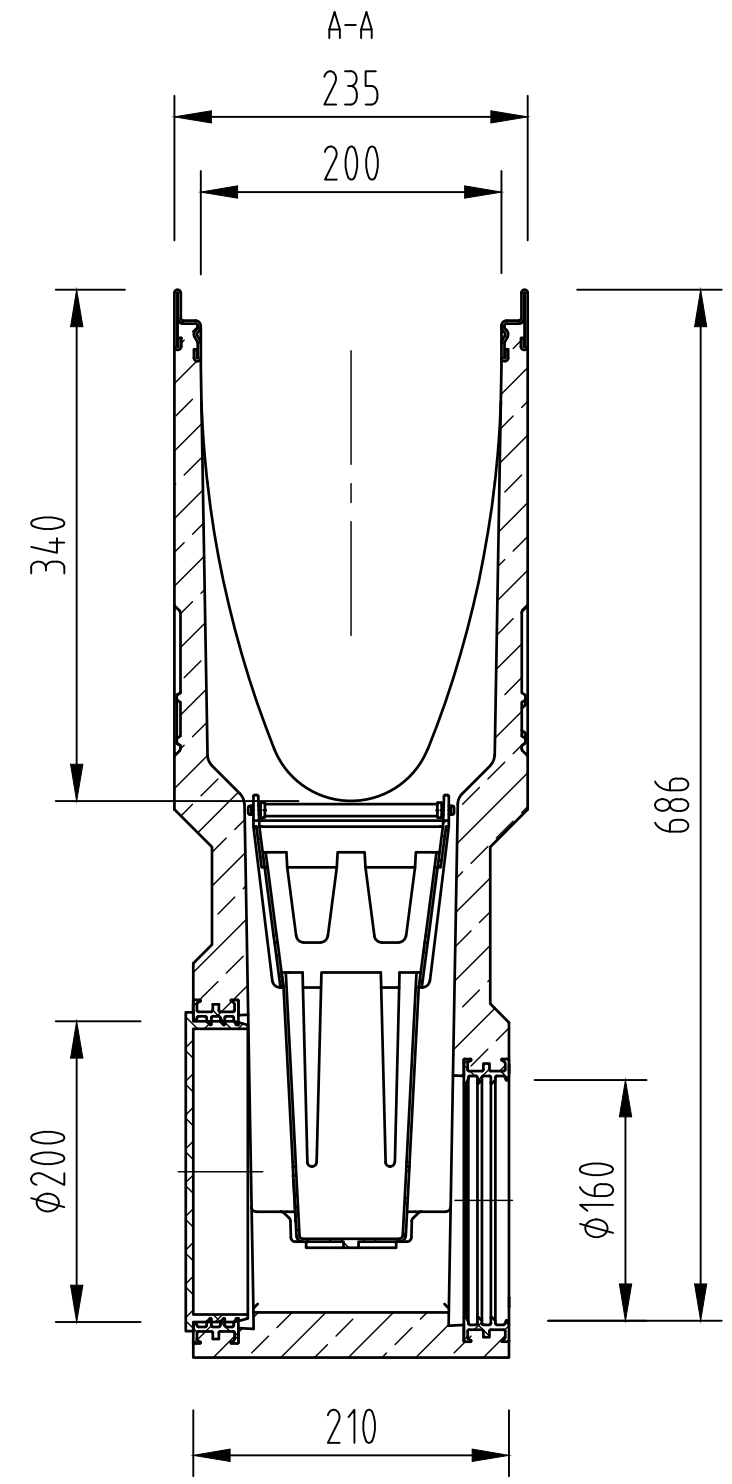
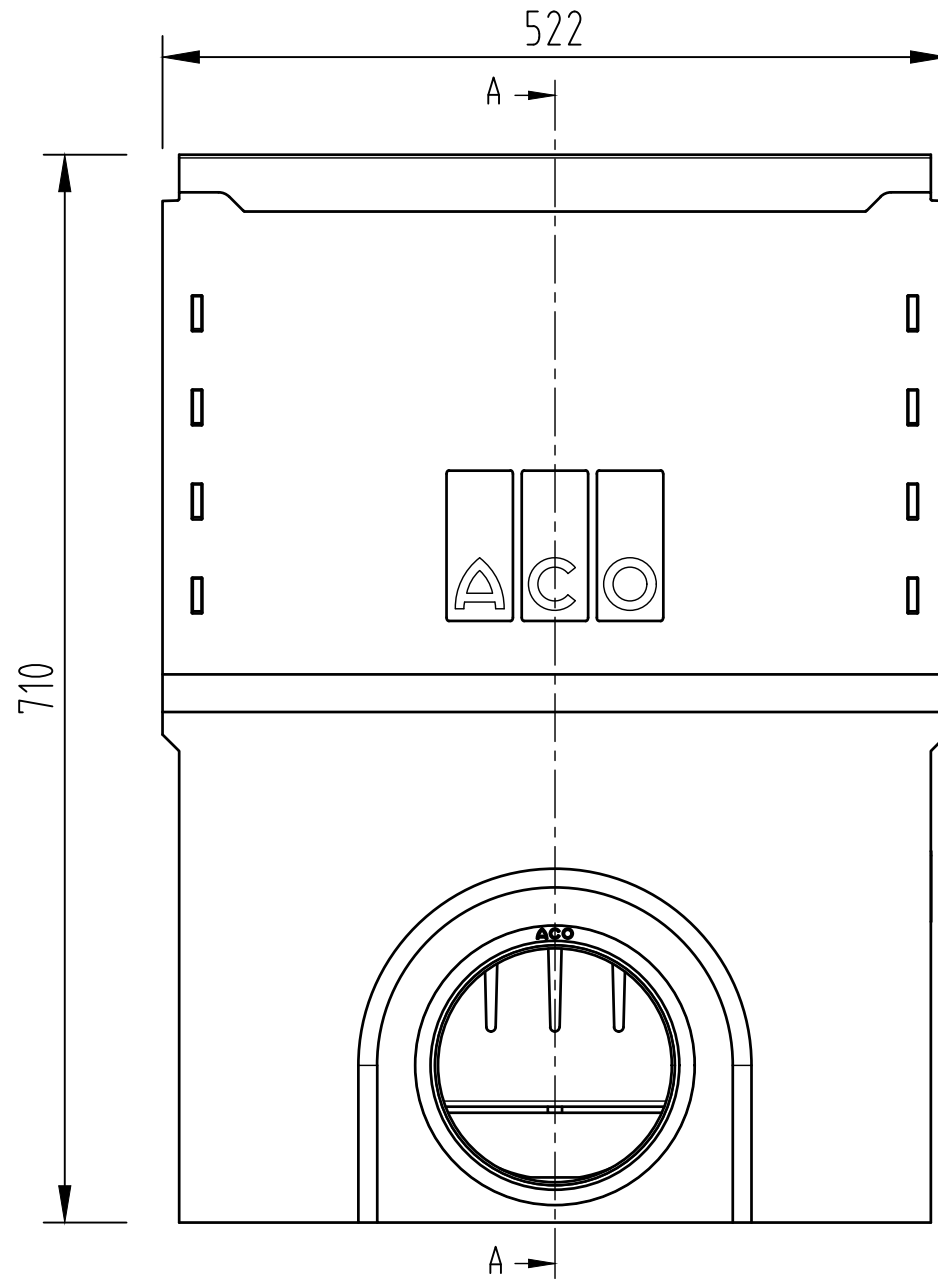
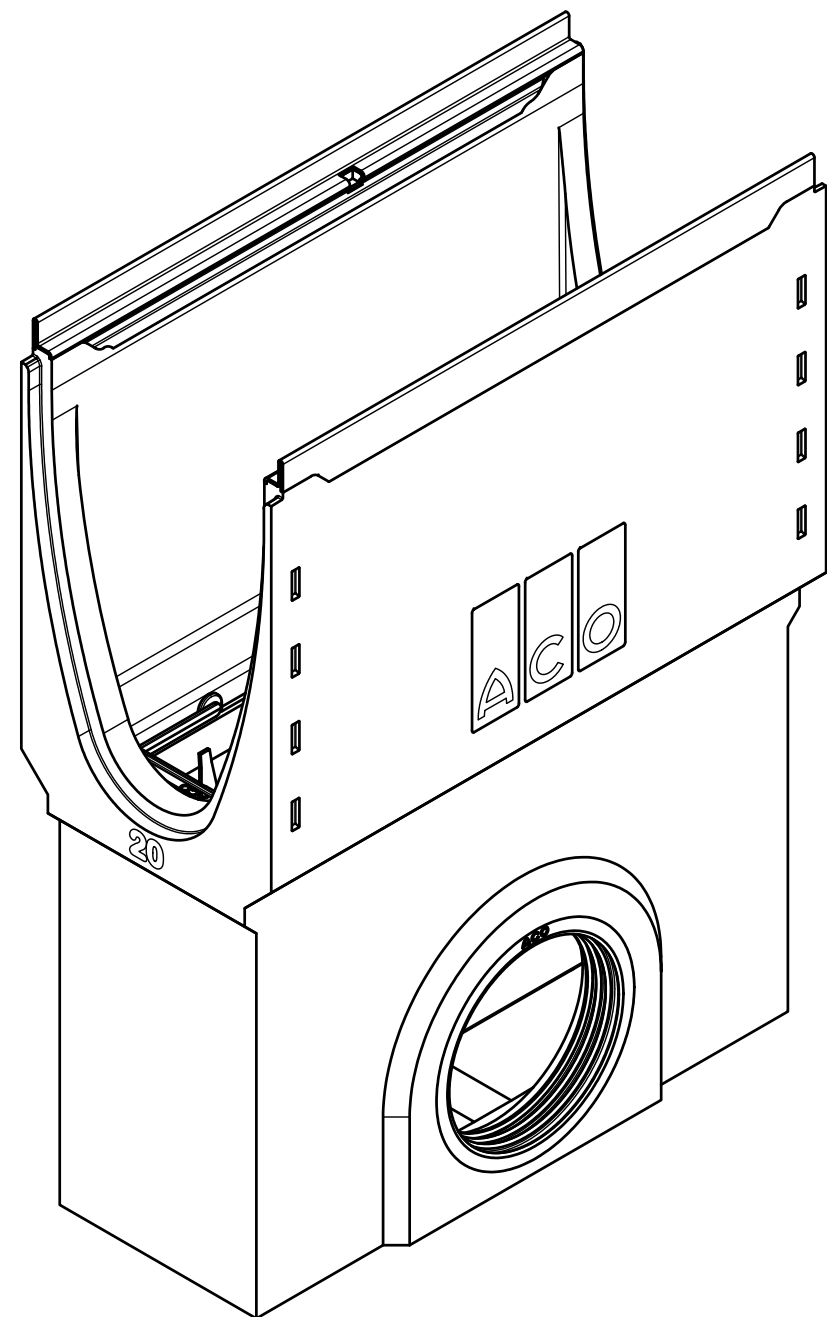
B

C

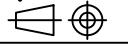
D

E

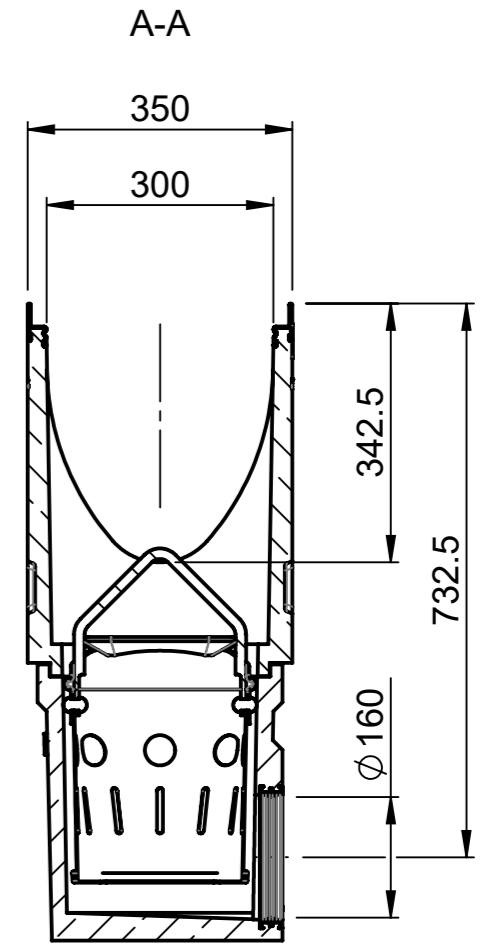
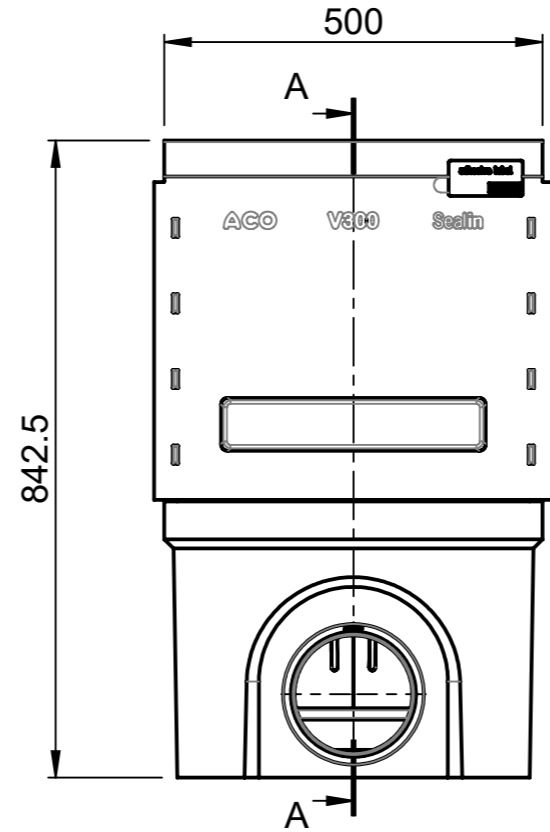
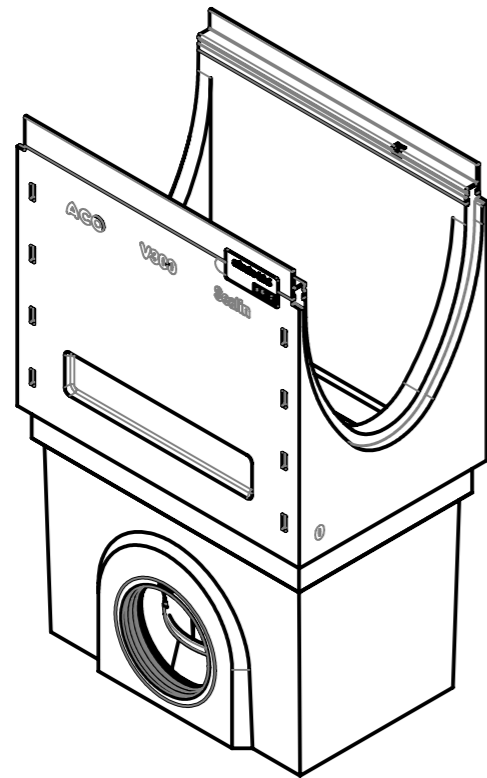
F



local article number: 133794


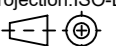
ACO Tiefbau Vertrieb GmbH 24755 Rendsburg, Postfach 320 Tel. 04331 / 354-500 FAX 04331/ 354-358 www.aco-tiefbau.de	drawing-no: 1042749-M	index:	documenttype: marketing drw.
	created by:	reviewed by:	projection:ISO-E 
title: Multiline Seal in Sump unit V200E DN160-DN200 20 with stainless steel rail Einlaufkasten V200E DN160-DN200 20 mit Edelstahlzarge			scale: 1:1
The reproduction, distribution and utilization of this document as well as the communication of its contents to others without express authorization is prohibited. Offenders will be held liable for the payment of damages. All rights reserved in the event of the grant of a patent, utility model or design. Disserve copyright by ISO 16016			release date: sheet: 1/1

1 2 3 4 5 6 7 8

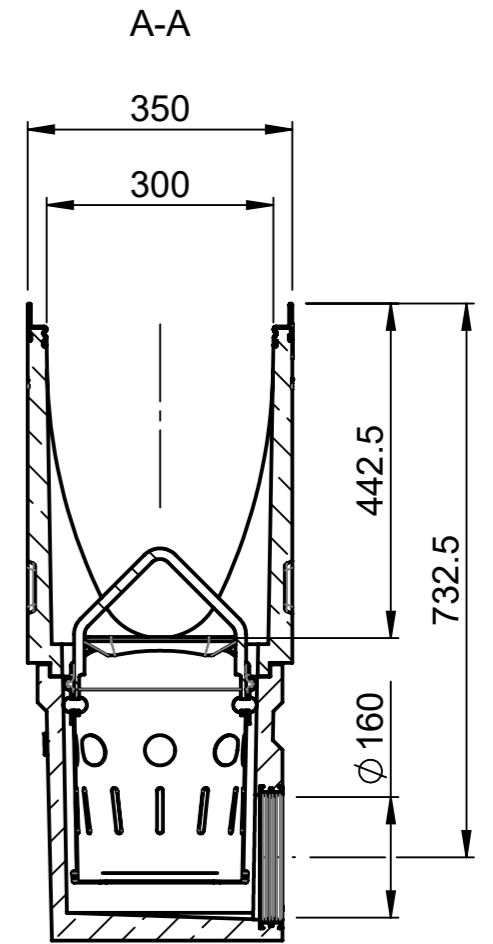
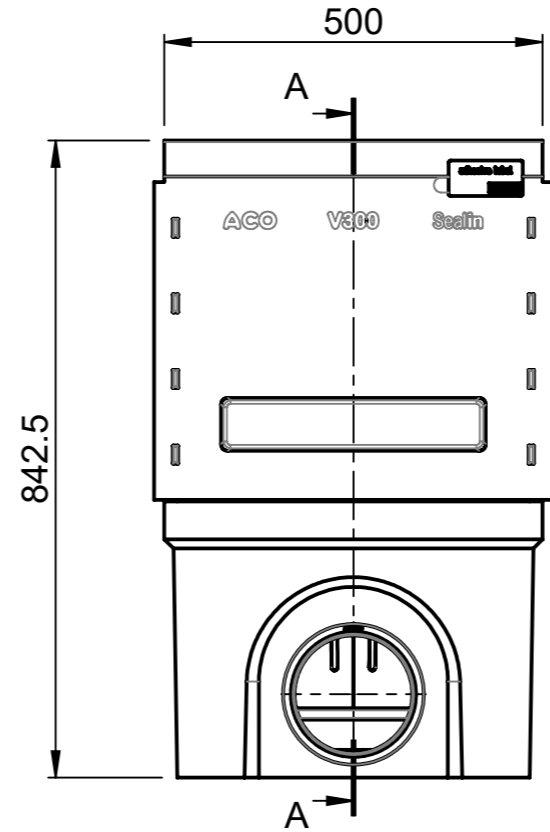
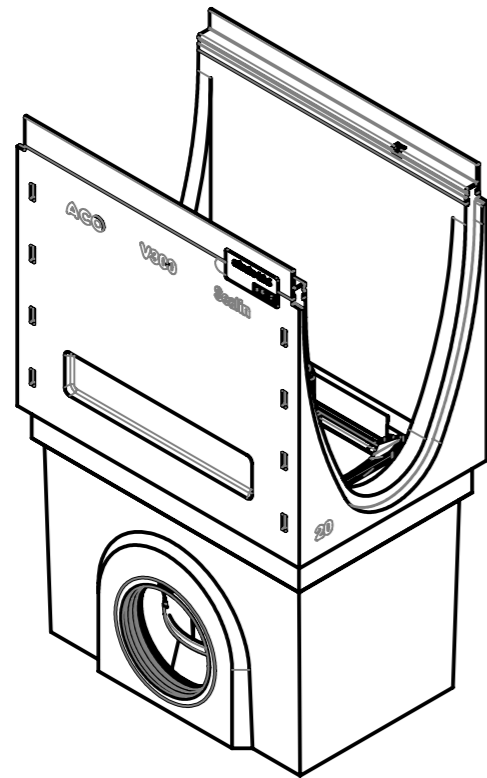


material number: 3002580

local article number: 153391


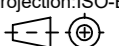
 ACO Ahlmann SE & Co. KG Am Ahlmannkai 24782 Büdelsdorf www.aco.com	drawing-no.: <b>1068287-M</b>	index: <b>003</b>	documenttype: marketing drw.
	created by: kmurthy	reviewed by: kmurthy	projection: ISO-E 
title: <b>Multiline Seal in</b> <b>Sump unit V300S DN160 0 with galv. steel rail</b> <b>Einlaufkasten V300S DN160 0 mit verzinkter Stahlzarge</b>			<b>serial-released</b>
<small>The reproduction, distribution and utilization of this document as well as the communication of its contents to others without express authorization is prohibited. Offenders will be held liable for the payment of damages. All rights reserved in the event of the grant of a patent, utility model or design. Observe copyright by ISO 16016</small>			release date: <b>23.02.2022</b>
			sheet: <b>1/1</b>

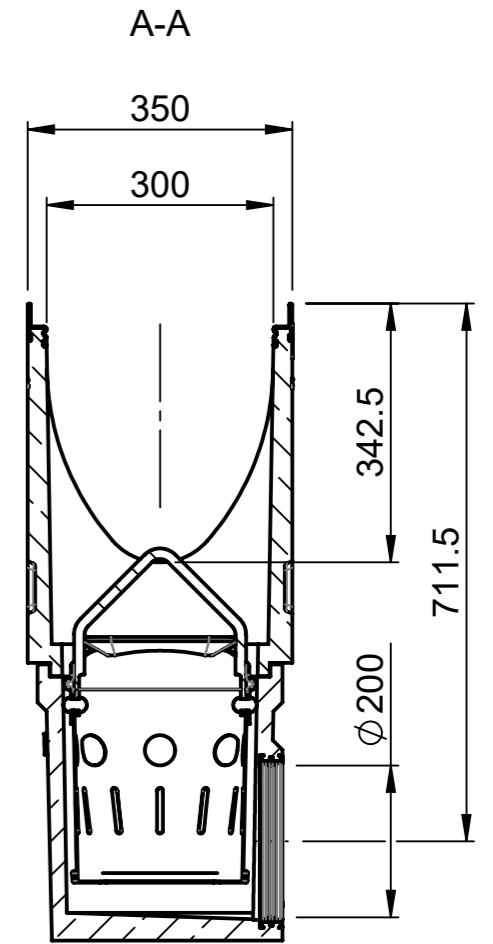
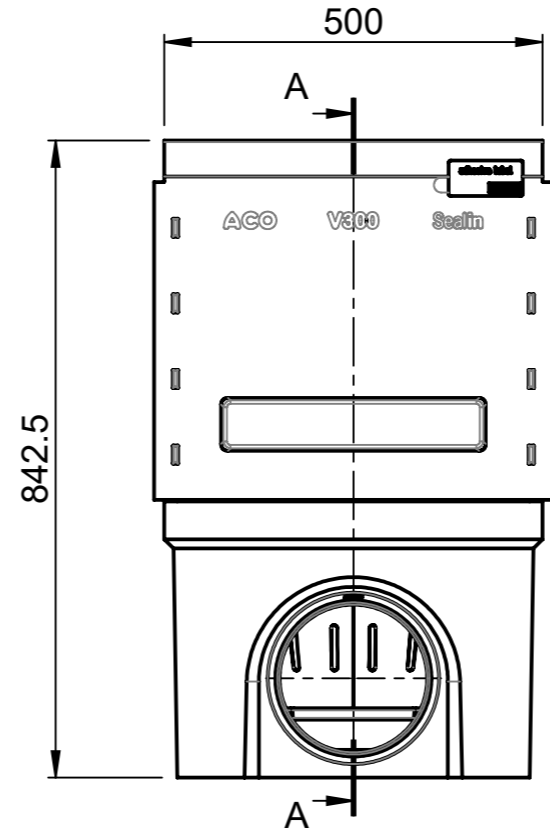
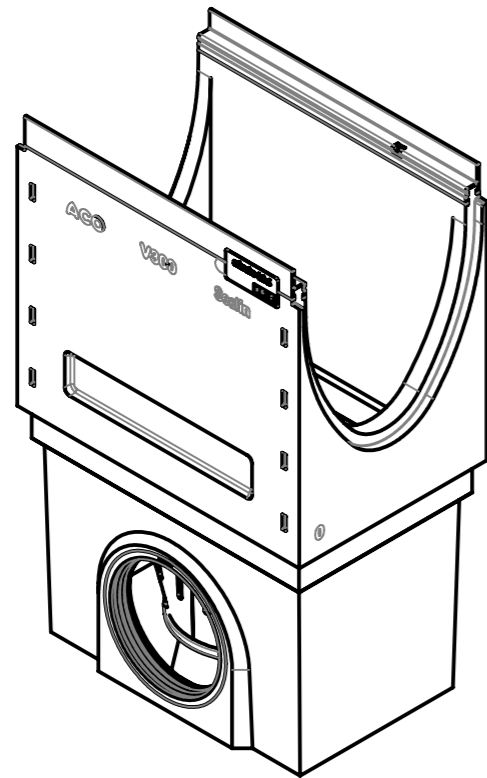




material number: 3002582


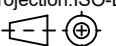
local article number: 153394

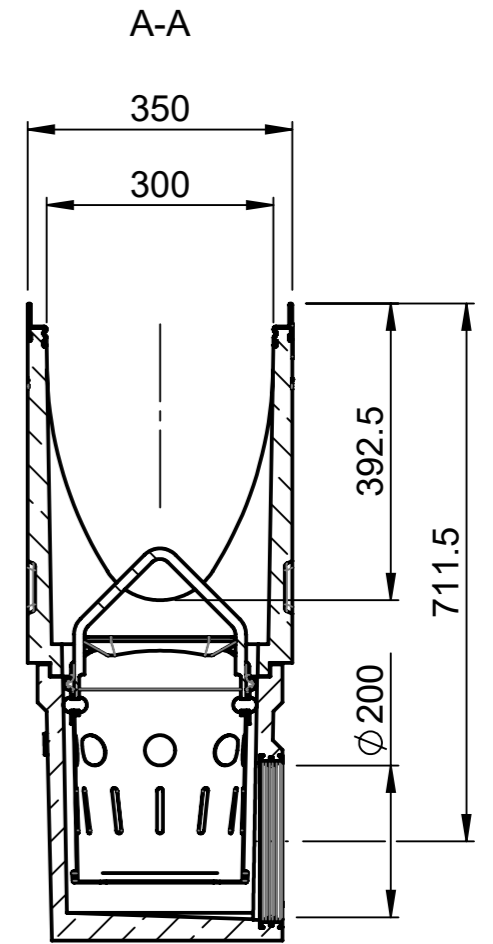
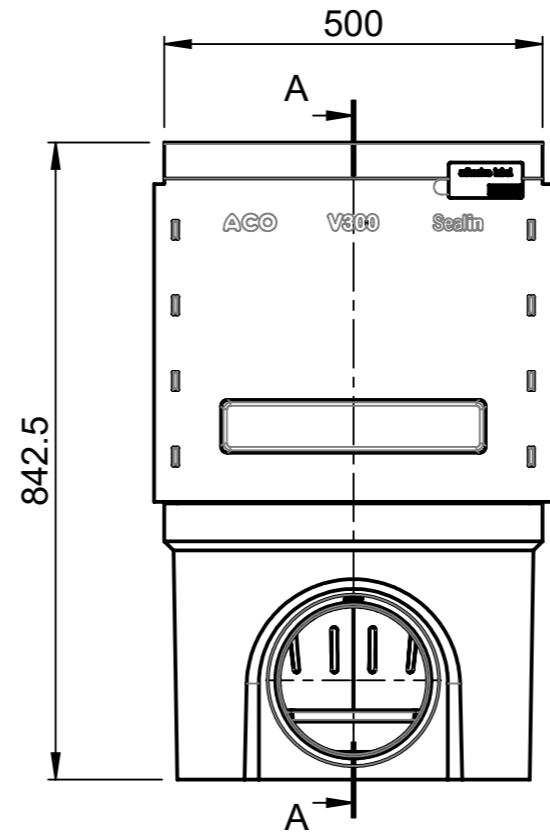
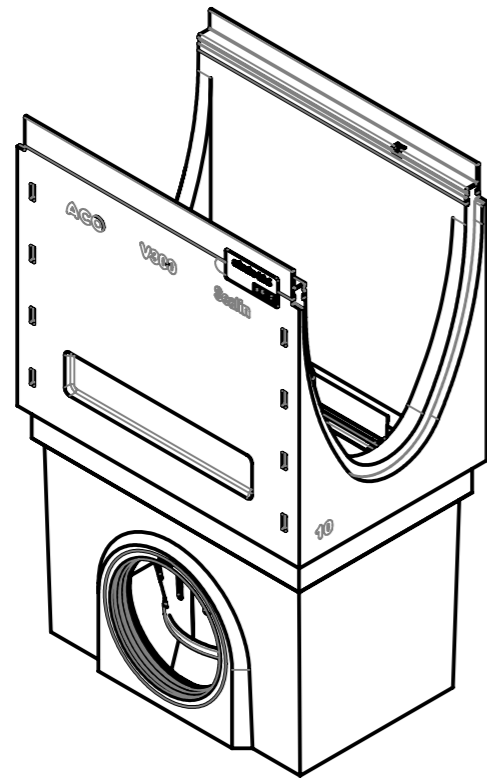
 ACO Ahlmann SE & Co. KG Am Ahlmannkai 24782 Büdelsdorf www.aco.com	drawing-no.: <b>1068290-M</b>	index: <b>003</b>	documenttype: marketing drw.
	created by: kmurthy	reviewed by: kmurthy	projection: ISO-E 
title: Multiline Seal in Sump unit V300S DN160 20 with galv. steel rail Einlaufkasten V300S DN160 20 mit verzinkter Stahlzarge			serial-released
<small>The reproduction, distribution and utilization of this document as well as the communication of its contents to others without express authorization is prohibited. Offenders will be held liable for the payment of damages. All rights reserved in the event of the grant of a patent, utility model or design. Observe copyright by ISO 16016</small>			release date: 23.02.2022
			sheet: 1/1



material number: 3002583


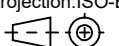
local article number: 153395

 ACO Ahlmann SE & Co. KG Am Ahlmannkai 24782 Büdelsdorf www.aco.com	drawing-no.: <b>1068291-M</b>	index: <b>003</b>	documenttype: marketing drw.
	created by: kmurthy	reviewed by: kmurthy	projection: ISO-E 
title: <b>Multiline Seal in          Sump unit V300S DN200 0 with galv. steel rail          Einlaufkasten V300S DN200 0 mit verzinkter Stahlzarge</b>			<b>serial-released</b>
<small>The reproduction, distribution and utilization of this document as well as the communication of its contents to others without express authorization is prohibited. Offenders will be held liable for the payment of damages. All rights reserved in the event of the grant of a patent, utility model or design. Observe copyright by ISO 16016</small>			release date: <b>23.02.2022</b>
			sheet: <b>1/1</b>

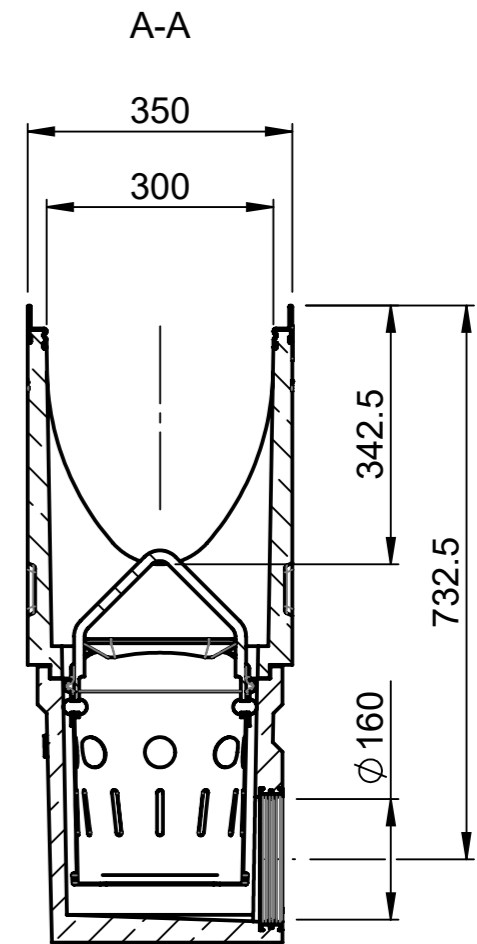
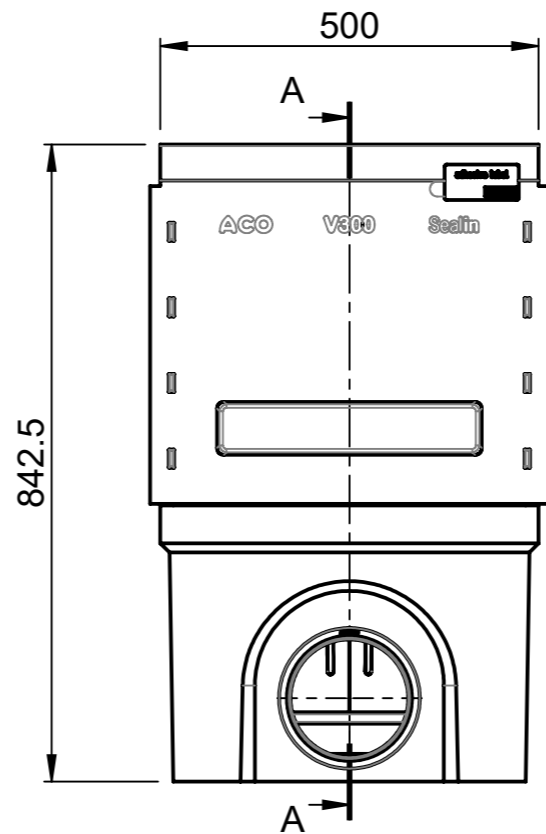
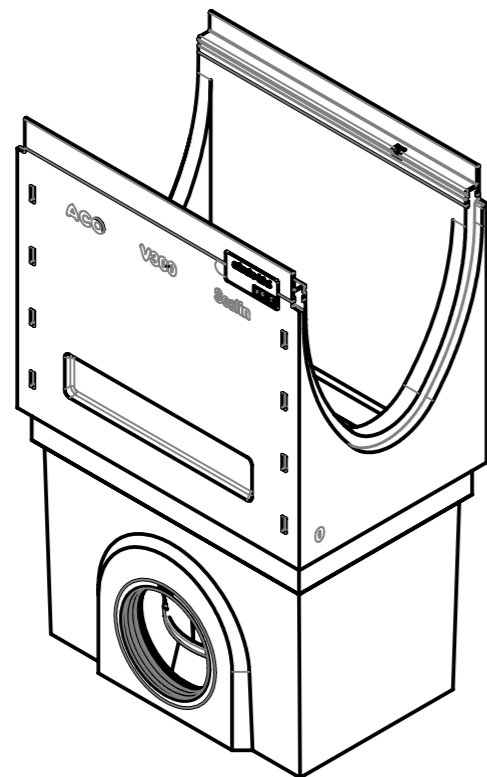


material number: 3002584

local article number: 153397


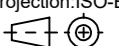
 ACO Ahlmann SE & Co. KG Am Ahlmannkai 24782 Büdelsdorf www.aco.com	drawing-no.: <b>1068293-M</b>	index: <b>003</b>	documenttype: marketing drw.	
	created by: kmurthy	reviewed by: kmurthy	projection: ISO-E 	scale: 1:10
title: <b>Multiline Seal in</b> <b>Sump unit V300S DN200 10 with galv. steel rail</b> <b>Einlaufkasten V300S DN200 10 mit verzinkter Stahlzarge</b>			<b>serial-released</b>	
<small>The reproduction, distribution and utilization of this document as well as the communication of its contents to others without express authorization is prohibited. Offenders will be held liable for the payment of damages. All rights reserved in the event of the grant of a patent, utility model or design. Observe copyright by ISO 16016</small>			release date: <b>23.02.2022</b>	sheet: <b>1/1</b>



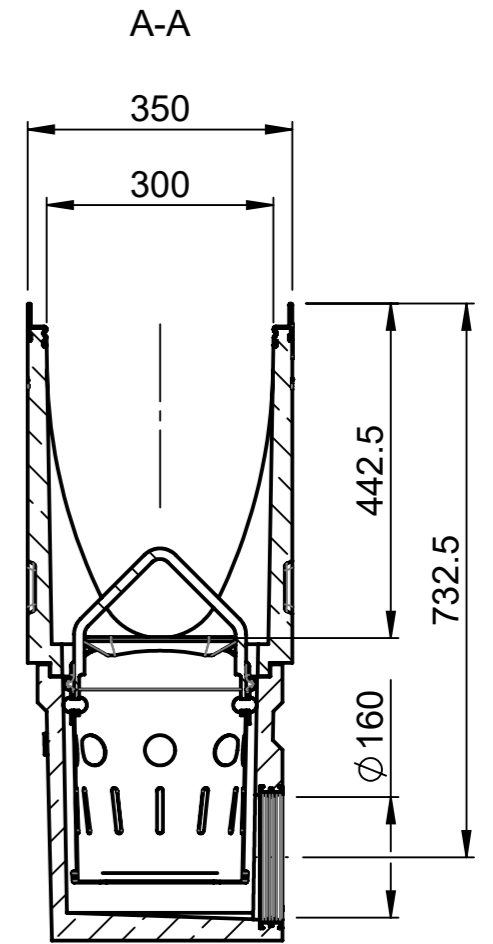
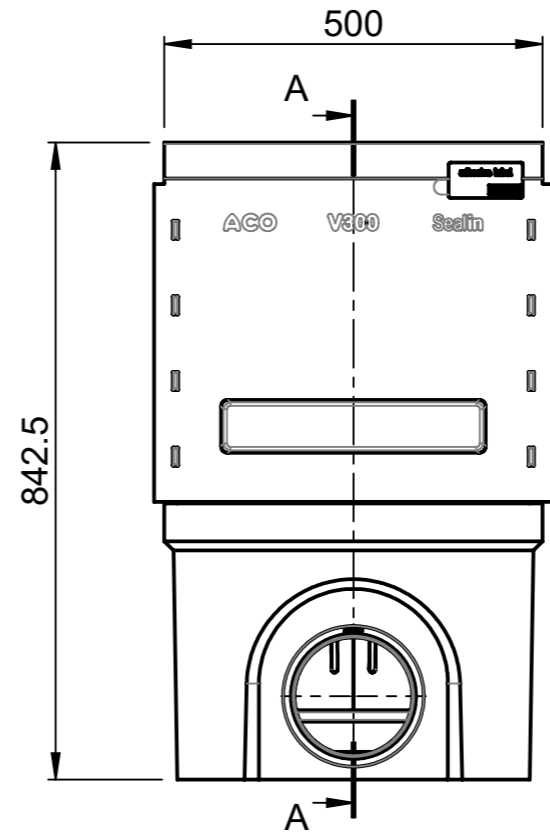
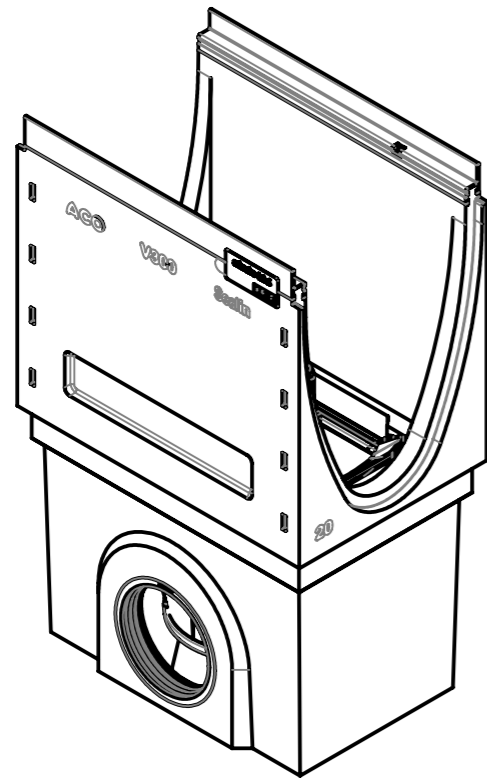


material number: 3002611

local article number: 153491


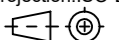
 ACO Ahlmann SE & Co. KG Am Ahlmannkai 24782 Büdelsdorf www.aco.com	drawing-no.: <b>1068303-M</b>	index: <b>003</b>	documenttype: marketing drw.
	created by: kmurthy	reviewed by: kmurthy	projection: ISO-E 
title: Multiline Seal in Sump unit V300E DN160 0 with stainless steel rail Einlaufkasten V300E DN160 0 mit Edelstahlzarge			serial-released
The reproduction, distribution and utilization of this document as well as the communication of its contents to others without express authorization is prohibited. Offenders will be held liable for the payment of damages. All rights reserved in the event of the grant of a patent, utility model or design. Observe copyright by ISO 16016			release date: 23.02.2022
			sheet: 1/1

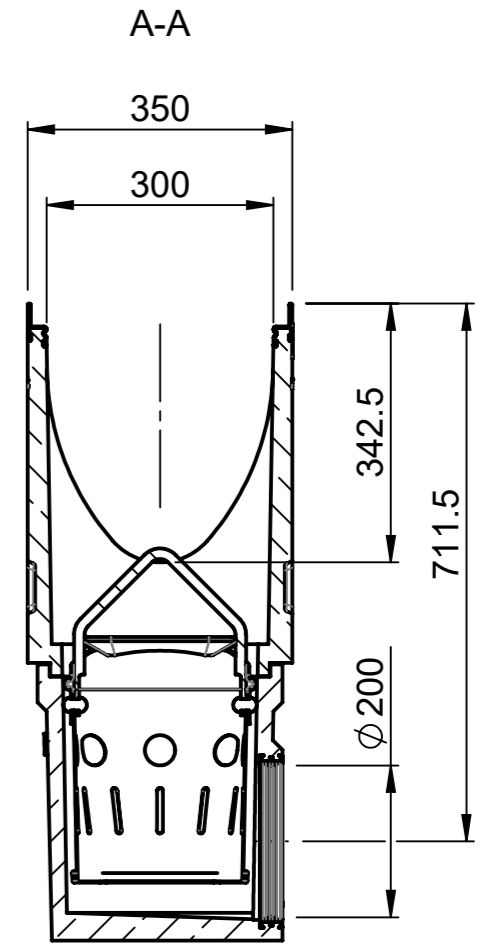
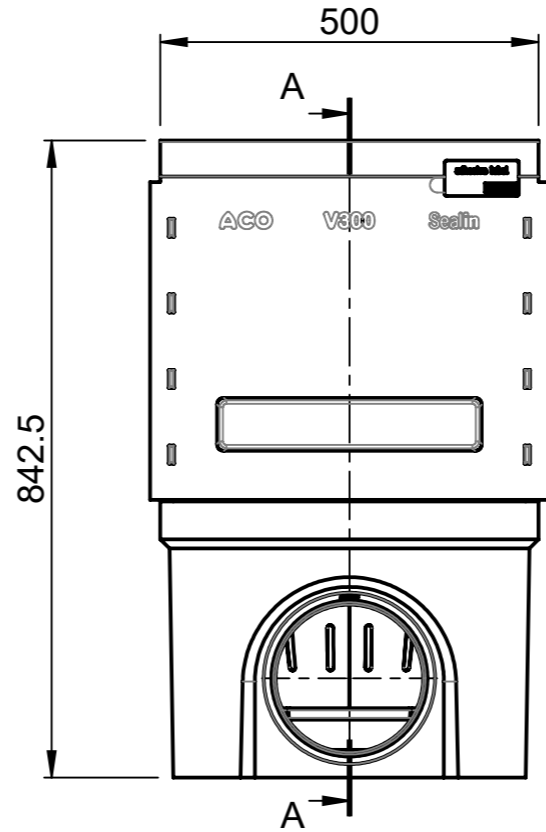
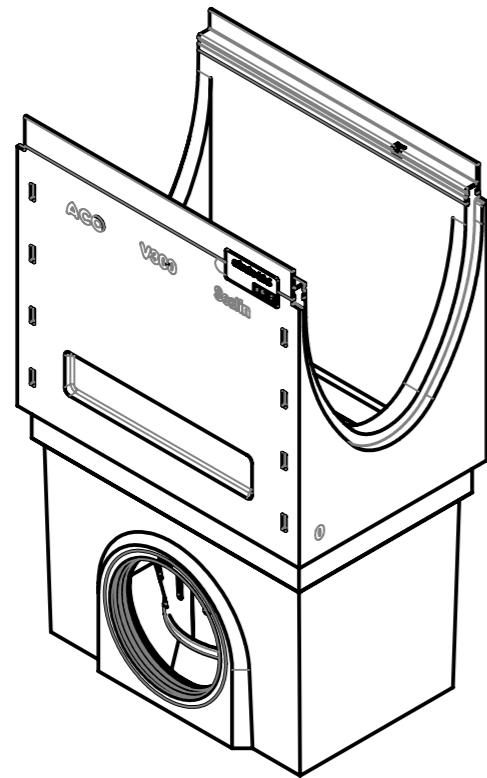




material number: 3002613


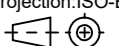
local article number: 153494

 ACO Ahlmann SE & Co. KG Am Ahlmannkai 24782 Büdelsdorf www.aco.com	drawing-no.: <b>1068309-M</b>	index: <b>003</b>	documenttype: marketing drw.
	created by: kmurthy	reviewed by: kmurthy	projection: ISO-E 
title: Multiline Seal in Sump unit V300E DN160 20 with stainless steel rail Einlaufkasten V300E DN160 20 mit Edelstahlzarge			serial-released
<small>The reproduction, distribution and utilization of this document as well as the communication of its contents to others without express authorization is prohibited. Offenders will be held liable for the payment of damages. All rights reserved in the event of the grant of a patent, utility model or design. Observe copyright by ISO 16016</small>			release date: 23.02.2022
			sheet: 1/1

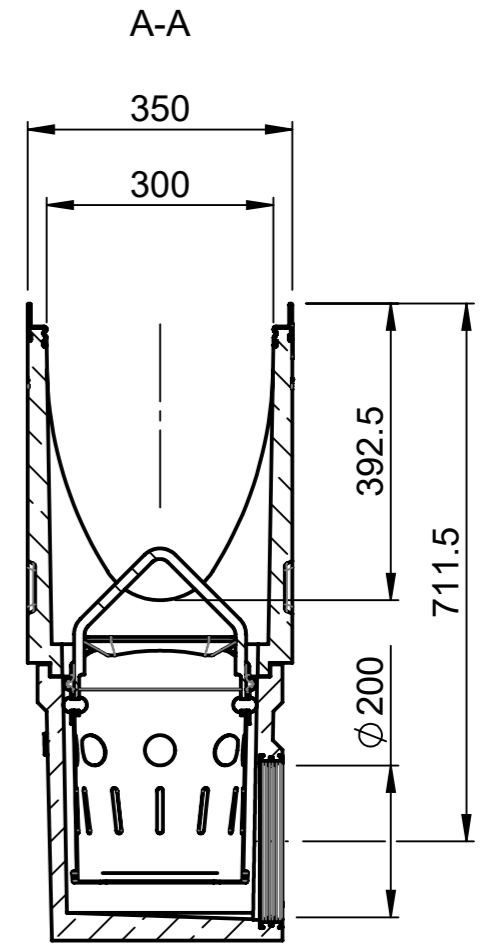
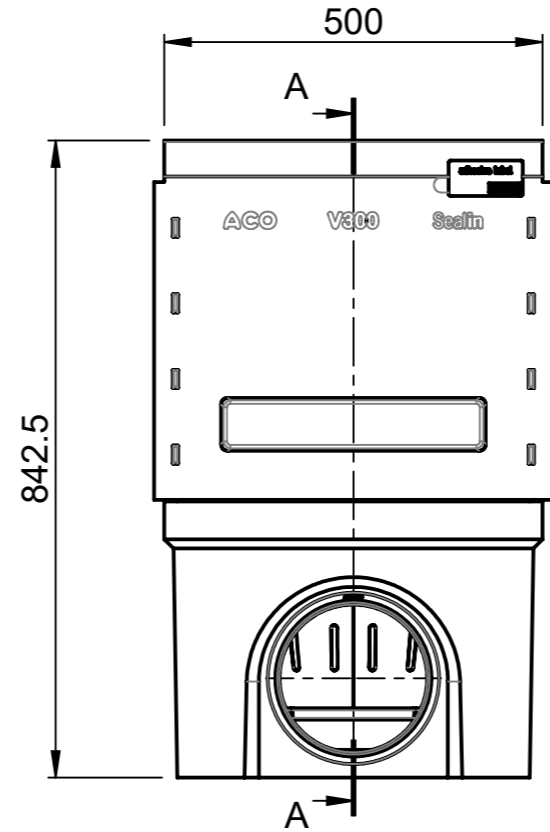
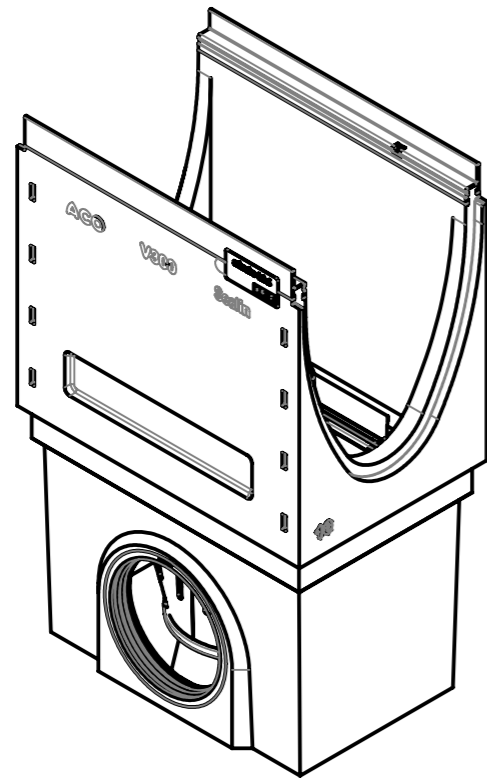


material number: 3002614

local article number: 153495


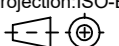
 ACO Ahlmann SE & Co. KG Am Ahlmannkai 24782 Büdelsdorf www.aco.com	drawing-no.: <b>1068312-M</b>	index: <b>003</b>	documenttype: marketing drw.	
	created by: kmurthy	reviewed by: kmurthy	projection: ISO-E 	scale: 1:10
title: <b>Multiline Seal in          Sump unit V300E DN200 0 with stainless steel rail          Einlaufkasten V300E DN200 0 mit Edelstahlzarge</b>			<b>serial-released</b>	
<small>The reproduction, distribution and utilization of this document as well as the communication of its contents to others without express authorization is prohibited. Offenders will be held liable for the payment of damages. All rights reserved in the event of the grant of a patent, utility model or design. Observe copyright by ISO 16016</small>			release date: <b>23.02.2022</b>	sheet: <b>1/1</b>

S:\prods\2017-01\ACO\_V300E\_Version 1.6

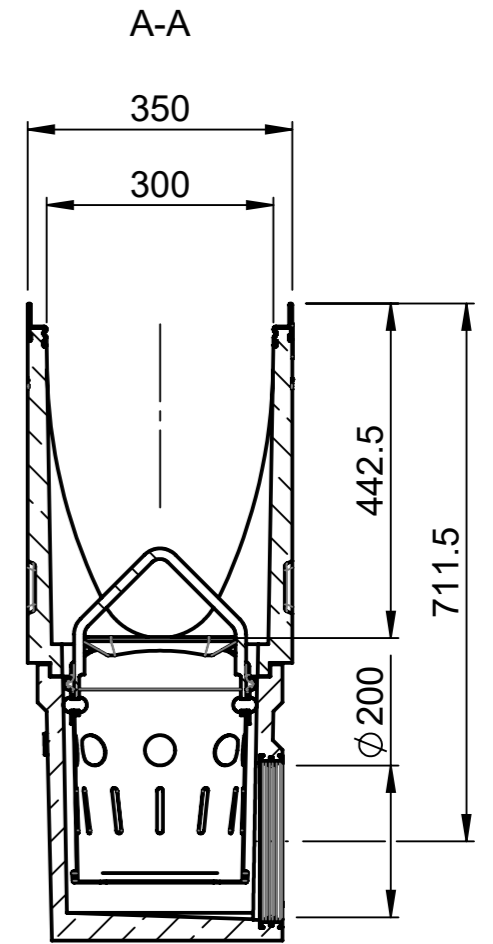
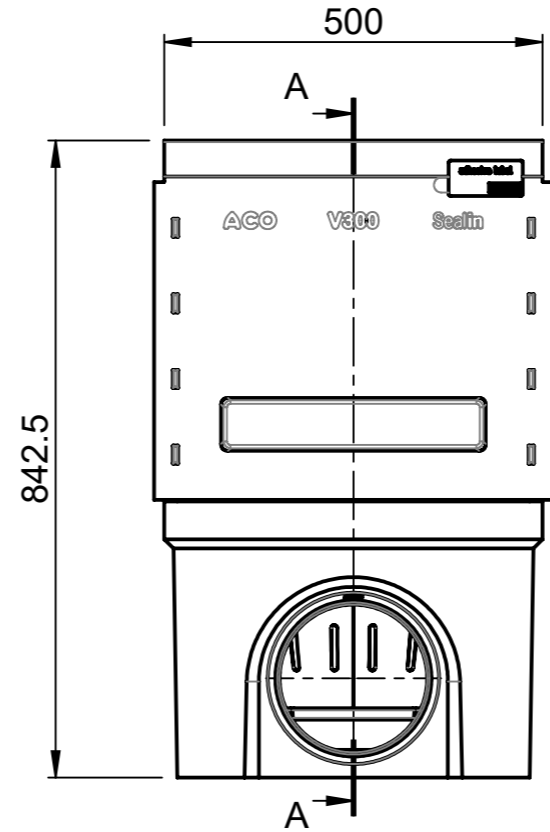
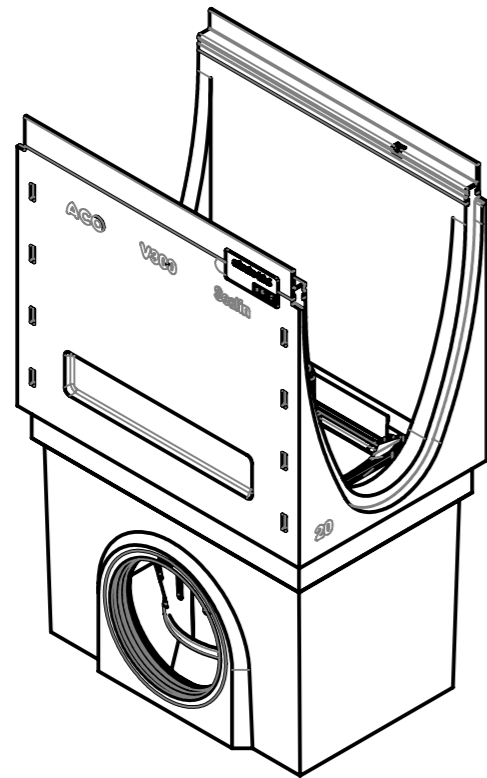


material number: 3002615

local article number: 153497


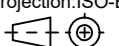
 ACO Ahlmann SE & Co. KG Am Ahlmannkai 24782 Büdelsdorf www.aco.com	drawing-no.: <b>1068314-M</b>	index: <b>003</b>	documenttype: marketing drw.
	created by: kmurthy	reviewed by: kmurthy	projection: ISO-E 
title: Multiline Seal in Sump unit V300E DN200 10 with stainless steel rail Einlaufkasten V300E DN200 10 mit Edelstahlzarge			serial-released
The reproduction, distribution and utilization of this document as well as the communication of its contents to others without express authorization is prohibited. Offenders will be held liable for the payment of damages. All rights reserved in the event of the grant of a patent, utility model or design. Observe copyright by ISO 16016			release date: 23.02.2022
			sheet: 1/1

S:\prods\2017-01\ACO\_V300E\_Version 1.6



material number: 3002616

local article number: 153498

 ACO Ahlmann SE & Co. KG Am Ahlmannkai 24782 Büdelsdorf www.aco.com	drawing-no.: <b>1068315-M</b>	index: <b>003</b>	documenttype: marketing drw.
	created by: kmurthy	reviewed by: kmurthy	projection: ISO-E 
title: Multiline Seal in Sump unit V300E DN200 20 with stainless steel rail Einlaufkasten V300E DN200 20 mit Edelstahlzarge			serial-released
The reproduction, distribution and utilization of this document as well as the communication of its contents to others without express authorization is prohibited. Offenders will be held liable for the payment of damages. All rights reserved in the event of the grant of a patent, utility model or design. Observe copyright by ISO 16016			release date: 23.02.2022
			sheet: 1/1